



Telemeter Electronic

---

*THURLBY THANDAR INSTRUMENTS*

**TSX SERIES**

*HIGH CURRENT DC POWER SUPPLIES*

---

**INSTRUCTION MANUAL**

---

# Table of Contents

Table of Contents	1
Introduction	2
Specification	2
Safety	4
EMC	5
Installation	6
Operation	7
Maintenance and Repair	8
<b>Instructions en Francais</b>	
Sécurité	
Installation	10
Fonctionnement	11
Entretien et réparation	12
<b>Bedienungsanleitung auf Deutsch</b>	
Sicherheit	13
Installation	14
Betrieb	15
Wartung und Instandsetzung	16
<b>Istruzioni in Italiano</b>	
Sicurezza	17
Installazione	18
Funzionamento	19
Manutenzione	20
<b>Instrucciones en Español</b>	
Seguridad	21
Instalación	22
Funcionamiento	23
Mantenimiento	24

---

# Introduction

This series of bench power supplies offer high power outputs (in excess of 350 Watts) in a casing which is both compact and lightweight when compared with conventional designs. Their high performance is derived from a regulator design which combines switch-mode and linear techniques to achieve high efficiency with excellent regulation, transient response and very low noise.

The supplies feature high accuracy voltage and current metering on bright 0.5" LEDs, overvoltage and thermal protection, and remote sense terminals. The output operates in constant voltage or constant current mode with automatic crossover and mode indication. Coarse and fine controls permit the output voltage to be set within 10 mV and the current limit control is logarithmic to give good resolution at low current settings.

The supplies have a robust steel case which is half-rack width (3U height). They are Safety Class I, Installation Category II instruments which meet EN61010-1 safety requirements and EN50081-1, EN50082-1 and EN61000-3-2 EMC standards.

---

# Specification

## OUTPUT SPECIFICATIONS

Voltage Range:	Nominally 0-35V (35V/10A) Nominally 0-18V (18V/20A)
Current Range:	Nominally 0-10A (35V/10A) Nominally 0-20A (18V/20A)
Output Voltage Setting:	By coarse and fine controls; 10mV setting resolution.
Output Current Setting:	By single semi-logarithmic control; 10mA setting resolution.
Output Mode:	Constant voltage or constant current with automatic crossover.
Output Switch:	Electronic. Preset voltage and current displayed when off.
Output Terminals:	4mm terminals on front panel, screw terminals at rear.
Sensing:	Remote via rear panel screw terminals or direct via shorting strip (supplied).
Output Impedance:	<1m $\Omega$ in constant voltage mode. >5k $\Omega$ in constant current mode (voltage limit at max.).
Output Protection:	Forward protection by Over-Voltage-Protection (OVP) trip; maximum voltage that should be applied to the terminals is 50V. Reverse protection by diode clamp for reverse currents up to 3A.
OVP Range:	10% to 110% of maximum output voltage set by front panel screwdriver adjustment.
OVP Delay:	<200 $\mu$ s
Load & Line Regulation:	<0.01% of maximum output for 90% load change or 10% line change.
Ripple & Noise:	<1mV rms typical in constant voltage <3mA rms typical in constant current.
HF Common Mode Noise:	Typically <3mV rms, <10mV peak.
Transient Response:	20 $\mu$ s to within 50mV of setting for 90% load change.
Temperature Coefficient:	Typically <100 ppm/ $^{\circ}$ C.

---

Protection Functions:	Overvoltage trip. Regulator overtemperature. Sense miswiring.
Status Indication:	Output off lamp Constant voltage mode lamp Constant current mode lamp Trip message on display.

## METER SPECIFICATIONS

Meter Types:	Dual 4 digit meters with 12.5mm (0.5") LEDs. Reading rate 4Hz.
Meter Resolution:	10mV, 10mA
Meter Accuracy:	Voltage 0.2% of reading $\pm$ 1 digit, current 0.5% of reading $\pm$ 1 digit.

## GENERAL

AC Input Voltage:	110V-120V AC or 220V-240V AC $\pm$ 10%, 50/60Hz. Installation Category II.
Power Consumption:	600VA max.
Operating Range:	5°C to +40°C, 20% to 80% RH.
Storage Range:	-40°C to +70°C.
Environmental:	Indoor use at altitudes up to 2000m, Pollution Degree 2.
Size:	210 x 140 x 385mm (W x H x D), half rack width x 3U height (optional rack mounting kit available)
Weight:	5kg.
Safety:	Complies with EN61010-1
EMC:	Complies with EN61326

---

# Safety

This power supply is a Safety Class I instrument according to IEC classification and has been designed to meet the requirements of EN61010-1 (Safety Requirements for Electrical Equipment for Measurement, Control and Laboratory Use). It is an Installation Category II instrument intended for operation from a normal single phase supply.

This instrument has been tested in accordance with EN61010-1 and has been supplied in a safe condition. This instruction manual contains some information and warnings which have to be followed by the user to ensure safe operation and to retain the instrument in a safe condition.

This instrument has been designed for indoor use in a Pollution Degree 2 environment in the temperature range 5°C to 40°C, 20% - 80% RH (non-condensing). It may occasionally be subjected to temperatures between +5°C and -10°C without degradation of its safety. Do not operate while condensation is present.

Use of this instrument in a manner not specified by these instructions may impair the safety protection provided. Do not operate the instrument outside its rated supply voltages or environmental range.

## **WARNING! THIS INSTRUMENT MUST BE EARTHED**

Any interruption of the mains earth conductor inside or outside the instrument will make the instrument dangerous. Intentional interruption is prohibited. The protective action must not be negated by the use of an extension cord without a protective conductor.






When the instrument is connected to its supply, terminals may be live and opening the covers or removal of parts (except those to which access can be gained by hand) is likely to expose live parts. The apparatus shall be disconnected from all voltage sources before it is opened for any adjustment, replacement, maintenance or repair. Capacitors inside the power supply may still be charged even if the power supply has been disconnected from all voltage sources but will be safely discharged about 10 minutes after switching off power.

Any adjustment, maintenance and repair of the opened instrument under voltage shall be avoided as far as possible and, if inevitable, shall be carried out only by a skilled person who is aware of the hazard involved.

If the instrument is clearly defective, has been subject to mechanical damage, excessive moisture or chemical corrosion the safety protection may be impaired and the apparatus should be withdrawn from use and returned for checking and repair.

Make sure that only fuses with the required rated current and of the specified type are used for replacement. The use of makeshift fuses and the short-circuiting of fuse holders is prohibited. Do not wet the instrument when cleaning it.

The following symbols are used on the instrument and in this manual:-

	Earth (ground) terminal.
	mains supply OFF.
	mains supply ON.
	alternating current (ac)
	direct current (dc)

This instrument has been designed to meet the requirements of the EMC Directive 89/336/EEC. Compliance was demonstrated by meeting the test limits of the following standards:

### **Emissions**

EN61326 (1998) EMC product standard for Electrical Equipment for Measurement, Control and Laboratory Use. Test limits used were:

- a) Radiated : Class B
- b) Conducted : Class B
- c) Harmonics: EN61000-3-2 (2000) Class A; the instrument is Class A by product category.

### **Immunity**

EN61326 (1998) EMC product standard for Electrical Equipment for Measurement, Control and Laboratory Use.

Test methods, limits and performance achieved were:

- a) EN61000-4-2 (1995) Electrostatic Discharge : 4kV air, 4kV contact, Performance A.
- b) EN61000-4-3 (1997) Electromagnetic Field, 3V/m, 80% AM at 1kHz, Performance A.
- c) EN61000-4-11 (1994) Voltage Interrupt, 1 cycle, 100%, Performance A.
- d) EN61000-4-4 (1995) Fast Transient, 1kV peak (AC line), 0.5kV peak (DC Outputs), Performance A.
- e) EN61000-4-5 (1995) Surge, 0.5kV (line to line), 1kV (line to ground), Performance A.
- f) EN61000-4-6 (1996) Conducted RF, 3V, 80% AM at 1kHz (AC line only; DC Output connections <3m not tested), Performance A.

According to EN61326 the definitions of performance criteria are:

**Performance criterion A:** 'During test normal performance within the specification limits.'

**Performance criterion B:** 'During test, temporary degradation, or loss of function or performance which is self-recovering'.

**Performance criterion C:** 'During test, temporary degradation, or loss of function or performance which requires operator intervention or system reset occurs.'

Note that if operation in a high RF field is unavoidable it is good practice to connect the PSU to the target system using screened leads which have been passed (together) through an absorbing ferrite sleeve fitted close to the PSU terminals.

### **Cautions**

To ensure continued compliance with the EMC directive observe the following precautions:

- a) after opening the case for any reason ensure that all signal and ground connections are remade correctly and that case screws are correctly refitted and tightened.
- b) In the event of part replacement becoming necessary, only use components of an identical type, see the Service Manual.

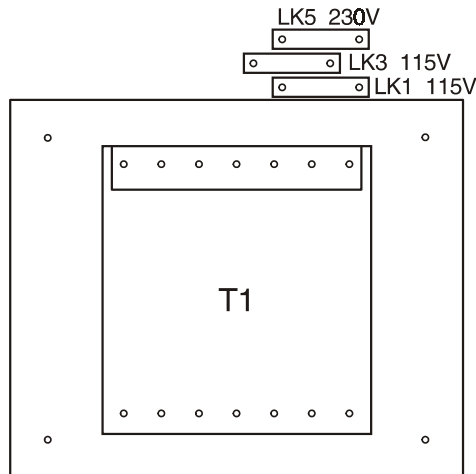
## Mains Operating Voltage

Check that the instrument operating voltage marked on the rear panel is suitable for the local supply. Should it be necessary to change the operating voltage, proceed as follows:

1. Ensure that the instrument is disconnected from the AC supply.
2. Remove the 6 screws holding the case upper and lift off the cover.
3. Change the appropriate zero-ohm links beside the transformer on the pcb:

Link LK5 only for 230V operation

Link LK1 and LK3 only for 115V operation



4. Re-assemble in the reverse order.
5. To comply with safety standard requirements the operating voltage on the rear panel must be changed to clearly show the new voltage setting.

## Mains Lead

When a three core mains lead with bare ends is provided this should be connected as follows:

BROWN	-	MAINS LIVE
BLUE	-	MAINS NEUTRAL
GREEN/YELLOW	-	EARTH



Safety Earth Symbol

When fitting a fused plug a 5 amp fuse should be fitted inside the plug. As the colours of the wires in the mains lead of this apparatus may not correspond with the coloured markings identifying the terminals in your plug proceed as follows:

The wire which is coloured green-and-yellow must be connected to the terminal in the plug which is marked by the letter E or by the safety earth symbol shown above or coloured green or green-and-yellow.

The wire which is coloured blue must be connected to the terminal which is marked with the letter N or coloured black.

The wire which is coloured brown must be connected to the terminal which is marked with the letter L or coloured red.

### **WARNING! THIS APPARATUS MUST BE EARTHED.**

Any interruption of the protective conductor inside or outside the apparatus or disconnection of the protective earth terminal is likely to make the apparatus dangerous. Intentional interruption is prohibited.

## Output Setting

With the POWER switch on (I) and the OUTPUT push-button switch off (out) the output voltage and current limit can be accurately set using the three output controls; the left-hand meter indicates set voltage and the right-hand meter set current.

When the OUTPUT is switched on, the ON LED and the CV (constant voltage) LED will light; the left-hand meter continues to show the set voltage but the right-hand meter now shows actual current drawn. Alternate presses of the I METER DAMPING button will switch current meter damping in and out; with damping switched in the DAMPED LED will be lit and the average value of a varying load current will be read.

If the output goes into current limit the CI (constant current) LED will light instead of the CV LED and the left-hand meter will now show the actual voltage at the output terminals; the right-hand meter will continue to show the set current limit.

At any time, the set voltage and set current levels can be reviewed by pressing the CHECK V/I button.

Outputs from several supplies may be connected in series or parallel to produce higher voltages or higher currents respectively. Care must be taken when connecting supplies in series to ensure that the maximum voltage rating of any output terminal (300V peak maximum with respect to true ground) is not exceeded.

## Connection to the Load

Connection to the front panel output terminals can be made with 4mm plugs, spade terminals or wire ends. To minimise voltage drop, the connecting leads to the load should be of an adequate wire gauge and be kept short. Load wires should also be twisted together to minimise inductance.

To overcome errors introduced by connecting lead resistance at higher currents the remote sensing facility should be used (10 mΩ of lead resistance will drop 0.2 Volt at 20 Amps). Remove the two shorting links made between the rear output and sense terminals and connect the sense terminals directly to the load; the power connections may be made from either the front or the rear terminals.

To ensure good coupling between the output and sense, the sense wires should be twisted with their corresponding output leads before the output leads are twisted together.

The voltage drop in each output lead must not exceed 1 Volt.

The shorting links should be re-made between the rear sense and output terminals when remote sensing is not being used. However, the sense connection is also made internally through a low value resistor and only a small error between the set and actual voltage will result if the links are left disconnected.

The output is fully floating and either terminal can be connected to ground or raised by up to 300V peak above true ground; however, such voltages are hazardous and great care should be taken.

The current limit control can be set to limit the continuous output current to levels down to 10mA. However, in common with all precision bench power supplies, a capacitor is connected across the output to maintain stability and good transient response. This capacitor charges to the output voltage, and short circuiting of the output will produce a short current pulse as the capacitor discharges which is independent of the current limit setting.



---

## Protection

Oversvoltage protection (OVP) is fully variable within the range 10% to 110% of the supply's maximum output level. The OVP limit is set via the screwdriver adjustable SET OVP preset potentiometer, accessible through a hole in the front panel. Rotating the preset clockwise increases the limit, which can be read directly on the left-hand display by pressing the READ OVP button. If the voltage on the output exceeds the set OVP for any reason, including an externally forced voltage, the output will be tripped off.

The output will also be tripped off if the thermal sensing detects overheating of any of the power semiconductors, or if the sense wires are wired to the wrong output or if an attempt is made to draw power from the sense wires.

In all the above cases, the 'TRIP' message will be shown in both displays. Once the cause of the trip has been removed, normal operation can be restored by switching the POWER switch off (O) then on (I) again.

The output is protected from reverse voltages by a diode; the continuous reverse current must not exceed 3 Amps, although transients can be much higher.

## Ventilation

These instruments are very efficient but nevertheless can generate significant heat at full power. The supplies rely on convection cooling only and it is therefore important that ventilation is never restricted if performance and safety are to be maintained. If the supplies are mounted in a restricted space, eg. a 19 inch rack, then adequate ventilation must be ensured by using, for example, a fan tray.

---

# Maintenance and Repair

The Manufacturers or their agents overseas will provide repair for any unit developing a fault. Where owners wish to undertake their own maintenance work, this should only be done by skilled personnel in conjunction with the service manual which may be purchased directly from the Manufacturers or their agents overseas.

## Fuse

The correct fuse type for all models and AC supply ranges is:

**10 Amp 250V HBC time-lag, 5 x 20 mm**

Make sure that only fuses with the required rated current and of the specified type are used for replacement. The use of makeshift fuses and the short-circuiting of fuse-holders is prohibited.

To replace the fuse, first disconnect the instrument from the AC supply. Remove the 6 cover securing screws and lift off the cover. Replace the fuse with one of the correct type and refit the cover.

Note that the main function of the fuse is to make the instrument safe and limit damage in the event of failure of one of the switching devices. If a fuse fails it is therefore very likely that the replacement will also blow, because the supply has developed a fault; in such circumstances the instrument will need to be returned to the manufacturer for service.

## Cleaning

If the PSU requires cleaning use a cloth that is only lightly dampened with water or a mild detergent. Polish the display window with a soft dry cloth.

**WARNING! TO AVOID ELECTRIC SHOCK, OR DAMAGE TO THE PSU, NEVER ALLOW WATER TO GET INSIDE THE CASE. TO AVOID DAMAGE TO THE CASE OR DISPLAY WINDOW NEVER CLEAN WITH SOLVENTS.**

Ce système alimentation est un instrument de classe de sécurité 1 conforme à la classification IEC et il a été conçu pour satisfaire aux exigences de la norme EN61010-1 (Exigences de sécurité pour les équipements électriques de mesure, de contrôle et d'utilisation en laboratoire). Il s'agit d'un instrument de Catégorie II d'installation devant être exploité depuis une alimentation monophasée standard.

Cet instrument a été testé conformément à la norme EN61010-1 et il a été fourni en tout état de sécurité. Ce manuel d'instructions contient des informations et des avertissements qui doivent être suivis par l'utilisateur afin d'assurer un fonctionnement et un état en toute sécurité.

Cet instrument a été conçu pour être utilisé en intérieur, en environnement de pollution de deuxième degré (Pollution degree 2) à des plages de températures de 5°C à 40°C, et à des taux d'humidité compris entre 20% et 80% (sans condensation). Il peut être soumis de temps à autre à des températures comprises entre +5°C et -10°C sans dégradation de sa sécurité. Ne pas l'utiliser en conditions de condensation.

Toute utilisation de cet instrument de manière non spécifiée par ces instructions risque d'affecter sa protection de sécurité. Ne pas utiliser l'instrument hors des plages de tension d'alimentation nominale recommandées ni hors de ses tolérances d'environnement.

## AVERTISSEMENT ! CET INSTRUMENT DOIT ETRE RELIE A LA TERRE

Toute interruption du conducteur de la terre du secteur à l'intérieur ou à l'extérieur de l'instrument rendra l'instrument dangereux. Il est absolument interdit de priver intentionnellement l'instrument de son branchement à la terre. La sécurité de l'instrument ne doit pas être annulée par l'utilisation de rallonge sans conducteur de protection.

Lorsque l'instrument est relié au secteur, il est possible que les bornes soient sous tension : l'ouverture des couvercles ou la dépose de pièces (à l'exception des pièces accessibles manuellement) risque de mettre à découvert des pièces sous tension. L'instrument doit être débranché du secteur et de toute source d'alimentation avant tout réglage, remplacement, travaux d'entretien ou de réparations.

Les condensateurs qui se trouvent dans le bloc d'alimentation risquent de rester chargés, même si le bloc d'alimentation a été déconnecté de toutes les sources d'alimentation, mais ils se déchargeront en toute sécurité environ 10 minutes après extinction de l'alimentation.

Eviter dans la mesure du possible d'effectuer des réglages, travaux de réparations ou d'entretien lorsque l'instrument ouvert est branché au secteur. Si cela s'avère toutefois indispensable, seul un technicien compétent connaissant les risques encourus doit effectuer ce genre de travaux.

S'il est évident que l'instrument est défectueux, qu'il a été soumis à des dégâts mécaniques, à une humidité excessive ou à une corrosion chimique, la protection de sécurité est affaiblie : l'instrument doit être retiré de l'exploitation et renvoyé vérifications et de réparations.

Ne remplacer les fusibles que par des fusibles d'intensité nominale requise et du type spécifié. Il est interdit d'utiliser des fusibles "maison" et de court-circuiter des porte-fusibles.

Ne jamais humidifier l'instrument lors du nettoyage.

Les symboles suivants se trouvent sur l'instrument, ainsi que dans ce manuel.



Borne de terre (masse)



alimentation secteur ON (allumée)



courant continu (c.c.)



alimentation secteur OFF (éteinte)



courant alternatif (c.a.)

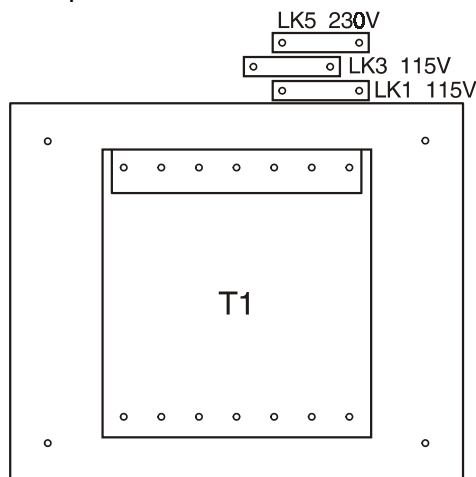
## Tension de fonctionnement

Vérifier que la tension de fonctionnement de l'instrument indiquée sur le panneau arrière convient à l'alimentation locale. S'il s'avère nécessaire de la modifier, procéder comme suit :

1. S'assurer que l'instrument est débranché de l'alimentation c.a.
2. Retirer les 6 vis qui maintiennent le couvercle du boîtier et démonter celui-ci en le soulevant.
3. Changer les liaisons zéro-Ohm appropriées de la carte à circuits imprimés, située à côté du transformateur:

Relier LK5 pour la seule alimentation à 230 V

Relier LK1 et LK3 pour la seule alimentation à 115 V



4. Effectuer le remontage dans l'ordre inverse.
5. Afin de respecter les impératifs des normes de sécurité, modifier l'indication de tension de fonctionnement sur le panneau arrière, pour indiquer clairement la nouvelle tension d'alimentation.

## Câble secteur

Lorsqu'un câble secteur à trois conducteurs et aux extrémités dénudées est fourni, il doit être branché comme suit :

MARRON	-	SECTEUR-TENSION
BLEU	-	SECTEUR-NEUTRE
VERT/JAUNE	-	TERRE



Symbole de prise de terre de sécurité

Lors de l'installation d'une prise à fusible, un fusible de 5 ampères doit être utilisé. Les couleurs des fils du câble secteur de cet appareil ne correspondant pas forcément aux couleurs utilisées pour identifier les bornes de la prise, aussi il est recommandé de suivre la procédure ci-dessous : Le fil vert et jaune doit être connecté à la borne de la prise près de laquelle figure la lettre E ou le symbole de terre ci-dessus ou de couleur verte ou verte/jaune.

Le fil bleu doit être connecté à la prise de la borne près de laquelle figure la lettre N ou de couleur noire.

Le fil marron doit être connecté à la borne près de laquelle figure la lettre L ou de couleur rouge.

### **ATTENTION ! CET APPAREIL DOIT ETRE RELIE A LA TERRE**

Toute interruption du conducteur de la terre du secteur à l'intérieur ou à l'extérieur de l'instrument rendra l'instrument dangereux. Il est absolument interdit de priver intentionnellement l'instrument de son branchement à la terre.

## Réglage de la sortie

Lorsque l'interrupteur POWER (Alimentation) est sur ON (actif) et que le bouton OUTPUT (sortie) est relâché (inactif) la tension de sortie et la limite de courant peuvent être réglées avec précision à l'aide des trois commandes de sortie ; l'affichage de gauche indique la tension et l'affichage de droite indique le courant appliqué.

Lorsque le bouton OUTPUT est enfoncé (actif), la DEL ON et la DEL CV (Constant Voltage - tension constante) s'allument ; l'affichage de gauche continue d'indiquer la tension appliquée, tandis que l'affichage de droite indique maintenant le courant réellement utilisé. Le fait d'enfoncer puis de relâcher le bouton I METER DAMPING active puis inhibe l'amortissement de l'ampèremètre ; lorsque l'amortissement est actif, la DEL DAMPED s'allume et la valeur moyenne d'un courant de charge variable s'affiche.

Si la puissance de sortie passe dans la limite de courant, la DEL CI s'allume au lieu de la DEL CV, et l'affichage de gauche indique la tension réelle aux bornes de sortie ; l'affichage de droite continue d'indiquer la limite de courant appliquée.

A tout moment, la tension et le courant appliqués peuvent être contrôlés en appuyant sur le bouton CHECK V/I.

Les sorties de plusieurs sources peuvent être connectées en série ou en parallèle afin de produire respectivement des tensions ou des courants plus élevés. Il convient de s'assurer, lors du branchement d'appareils en série, que la tension nominale maximale de toute borne de sortie (crête de 300 V maximum par rapport à la masse réelle) n'est pas dépassée.

## Connexion à la charge

La connexion aux bornes de sortie du panneau avant peut s'effectuer à l'aide de prises de 4 mm, des cosses ou des extrémités de fils. Pour minimiser la chute de tension, les fils de connexion à la charge doivent être des fils de calibre suffisant et doivent rester courts. Les fils de charge doivent être torsadés ensemble pour minimiser l'inductance.

Pour prévenir les erreurs introduites par la connexion d'une résistance à des courants plus élevés, le dispositif de télédétection doit être utilisé (10 mΩ de résistance de fil cause une baisse de 0,2 Volt à 20 A). Retirer les deux contacts court-circuitants entre la sortie arrière et les bornes de détection et connecter les bornes de détection directement à la charge ; les connexions d'alimentation peuvent s'effectuer des bornes avant ou arrière.

Pour assurer le branchement correct entre la sortie et la borne de détection, les fils de détection doivent être torsadés ensemble avec leurs fils de sortie respectifs avant de torsader ensemble les fils de sortie.

La chute de tension de chaque fil de sortie ne doit pas dépasser 1 Volt.

Les contacts court-circuitants doivent être rétablis entre les bornes arrière de détection et de sortie lorsque la télédétection n'est pas utilisée. Cependant, la connexion de la borne de détection se fait également de l'intérieur par le biais d'une résistance de faible valeur, et seule une erreur mineure entre la tension appliquée et la tension réelle en résulte si les contacts ne sont pas branchés.

La sortie est isolée de la terre et l'une ou l'autre des bornes peut être reliée à la terre ou augmentée de 300 V maximum au-dessus de la masse réelle ; cependant, ces tensions sont dangereuses et il y a une extrême prudence s'impose.

La commande de limite de courant peut être appliquée pour limiter le courant de sortie continu à des niveaux aussi faibles que 10 mA. Toutefois, comme pour toutes les sources d'alimentation de précision, un condensateur est connecté en parallèle à la sortie, afin de maintenir la stabilité et une bonne réponse transitoire. Ce condensateur transfère la charge à la tension de sortie, et lorsque le condensateur se décharge, un court-circuit de la sortie produit une courte impulsion de courant, indépendante de la limite de courant adoptée.

---

## Protection

La protection contre les surtensions est entièrement variable dans la plage de 10% à 110% du niveau maximal d'alimentation en sortie. Cette limite s'applique à l'aide du potentiomètre pré-réglé SET OVP réglable par tournevis et accessible par une ouverture dans le panneau frontal. Tourner le potentiomètre en sens horaire pour augmenter la limite. Cette limite s'affiche sur le compteur de gauche par pression sur le bouton READ OVP (Lire la surtension). Si la tension de la sortie dépasse la protection de surtension appliquée, pour quelque raison que ce soit, y compris une tension externe forcée, la sortie disjoncte.

La sortie disjoncte également si le détecteur thermique relève une surchauffe de l'un des semi-conducteurs, si les fils de détection sont connectés à la mauvaise sortie ou en cas de tentative de prélèvement d'alimentation des fils de détection.

Dans tous ces cas, le message TRIP (Interruption) s'affiche sur les deux affichages. Une fois la raison de l'interruption éliminée, le fonctionnement normal peut reprendre en plaçant l'interrupteur POWER alternativement sur (O) puis (I).

La sortie est protégée des tensions inverses par une diode ; le courant inverse continu ne doit pas dépasser 3 A, bien que les courants transitoires puissent être beaucoup plus importants.

## Ventilation

Ces appareils sont extrêmement efficaces, mais ils peuvent néanmoins générer une chaleur importante à plein régime. Les appareils ne sont refroidis que par convection. Il est donc important, pour garantir les performances et la sécurité, de s'assurer que la ventilation ne soit jamais gênée. Si les appareils sont installés dans un espace réduit, tel qu'un châssis de 19 pouces, une ventilation adéquate doit être assurée, par l'utilisation, par exemple, de ventilateurs.

---

# Entretien et réparation

Le constructeur ou ses agents à l'étranger répareront toute unité qui tombe en panne. Si le propriétaire de l'appareil décide d'effectuer ses propres réparations, celles-ci doivent être effectuées exclusivement par un personnel spécialisé qui doit se référer au manuel de maintenance disponible directement auprès du constructeur ou de ses agents à l'étranger.

## Fusible

Le fusible qui convient pour tous les modèles et toutes les plages de CA est :

**10 Amp 250V HBC à action retardée, 5 x 20 mm**

S'assurer que seuls les fusibles du courant nominal et du type spécifiés sont utilisés. Il est interdit d'utiliser des fusibles "maison" ou de court-circuiter les porte-fusibles.

Pour remplacer le fusible, débrancher tout d'abord l'instrument de la source d'alimentation CA. Retirer les 6 vis de fixation du couvercle et déposer ce dernier. Remplacer le fusible par un fusible approprié puis remettre le couvercle en place.

Il convient de noter que la fonction principale d'un fusible est d'assurer la sécurité de l'appareil, et de limiter les dégâts en cas de panne de l'un des dispositifs de commutation.

Si un fusible saute il est donc très probable que le fusible de remplacement sautera aussi, en raison d'une déféctuosité dans l'alimentation ; dans ce cas l'instrument devra être renvoyé au constructeur pour réparation.

## Nettoyage

S'il faut nettoyer le bloc d'alimentation, utiliser un chiffon légèrement imbibé d'eau ou d'un détergent doux. Nettoyer le cadran d'affichage au moyen d'un chiffon sec et doux.

**AVERTISSEMENT ! EMPECHER TOUTE INTRODUCTION D'EAU DANS LE BOITIER AFIN D'EVITER TOUT CHOC ELECTRIQUE ET DEGATS AU BLOC D'ALIMENTATION. NE JAMAIS UTILISER DE SOLVANTS POUR NETTOYER LE BLOC, AFIN D'EVITER D'ENDOMMAGER LE BOITIER OU LE CADRAN D'AFFICHAGE.**

Diese Stromversorgung wurde nach der Sicherheitsklasse (Schutzart) I der IEC-Klassifikation und gemäß den europäischen Vorschriften EN61010-1 (Sicherheitsvorschriften für Elektrische Meß-, Steuer, Regel- und Laboranlagen) entwickelt. Es handelt sich um ein Gerät der Installationskategorie II, das für den Betrieb von einer normalen einphasigen Versorgung vorgesehen ist.

Das Gerät wurde gemäß den Vorschriften EN61010-1 geprüft und wurde in sicherem Zustand geliefert. Die vorliegende Anleitung enthält vom Benutzer zu beachtende Informationen und Warnungen, die den sicheren Betrieb und den sicheren Zustand des Gerätes gewährleisten.

Dieses Gerät ist für den Betrieb in Innenräumen der Umgebungsklasse 2, für einen Temperaturbereich von 5° C bis 40° C und 20 - 80 % relative Feuchtigkeit (nicht kondensierend) vorgesehen. Gelegentlich kann es Temperaturen zwischen +5° und -10° C ausgesetzt sein, ohne daß seine Sicherheit dadurch beeinträchtigt wird. Betreiben Sie das Gerät jedoch auf keinen Fall, solange Kondensation vorhanden ist.

Ein Einsatz dieses Gerätes in einer Weise, die für diese Anlage nicht vorgesehen ist, kann die vorgesehene Sicherheit beeinträchtigen. Auf keinen Fall das Gerät außerhalb der angegebenen Nennversorgungsspannungen oder Umgebungsbedingungen betreiben.

## **WARNUNG! - DIESES GERÄT MUSS GEERDET WERDEN!**

Jede Unterbrechung des Netzschutzleiters innerhalb oder außerhalb des Gerätes macht das Gerät gefährlich. Eine absichtliche Unterbrechung ist verboten. Die Schutzwirkung darf durch Verwendung eines Verlängerungskabels ohne Schutzleiter nicht aufgehoben werden.

Ist das Gerät an die elektrische Versorgung angeschlossen, so können die Klemmen unter Spannung stehen, was bedeutet, daß beim Entfernen von Verkleidungs- oder sonstigen Teilen (mit Ausnahme der Teile, zu denen Zugang mit der Hand möglich ist) höchstwahrscheinlich spannungsführende Teile bloßgelegt werden. Vor jeglichem Öffnen des Gerätes zu Nachstell-, Auswechsel-, Wartungs- oder Reparaturzwecken, Gerät stets von sämtlichen Spannungsquellen abklemmen. Kondensatoren in der Stromversorgung können auch noch nach Abschalten sämtlicher Stromversorgung Spannung führen, sie entladen sich jedoch innerhalb von etwa 10 Minuten nach Spannungsabschaltung.

Jegliche Nachstellung, Wartung und Reparatur am geöffneten, unter Spannung stehenden Gerät, ist nach Möglichkeit zu vermeiden. Falls unvermeidlich, sollten solche Arbeiten nur von qualifiziertem Personal ausgeführt werden, das sich der Gefahren bewußt ist.

Ist das Gerät eindeutig fehlerbehaftet, bzw. wurde es mechanisch beschädigt, übermäßiger Feuchtigkeit oder chemischer Korrosion ausgesetzt, so können die Schutzeinrichtungen beeinträchtigt sein, weshalb das Gerät aus dem Verkehr zurückgezogen und zur Überprüfung und Reparatur eingesandt werden sollte.

Sicherstellen, daß nur Sicherungen der vorgeschriebenen Stromstärke und des vorgesehenen Typs als Ersatz verwendet werden. Provisorische "Sicherungen" und der Kurzschluß von Sicherungshaltern ist verboten.

Beim Reinigen darauf achten, daß das Gerät nicht naß wird.

Am Gerät werden folgende Symbole verwendet:



Erdungsklemme



Netz ON (ein)



Netz OFF (aus)



Gleichstrom



Wechselstrom

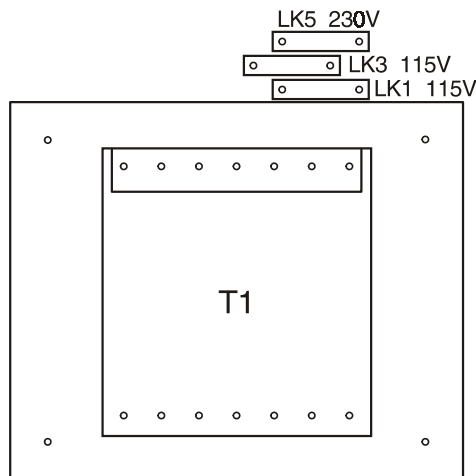
## Netzbetriebsspannung

Sicherstellen, dass die auf der Geräterückwand angegebene Betriebsspannung mit der Versorgungsspannung am Ort übereinstimmt. Falls es erforderlich ist, die Betriebsspannung zu ändern, wie folgt vorgehen:

1. Sicherstellen, dass das Gerät vom Wechselstromnetz getrennt ist.
2. Die 6 Schrauben entfernen, mit denen die obere Gehäusehälfte befestigt ist, und den Deckel abheben.
3. Die in Frage kommenden Null-Ohm-Drahtbrücken neben dem Transformator auf der Platine nach Bedarf umstecken.

Drahtbrücke LK5 nur für 230 V-Betrieb

Drahtbrücke LK1 und LK3 nur für 115 V-Betrieb



4. Gerät in umgekehrter Reihenfolge wieder zusammenbauen.
5. Die Sicherheitsvorschriften werden nur dann erfüllt, wenn auch die Angabe der Betriebsspannung auf der Geräterückwand geändert wird, so dass die neue Spannungseinstellung deutlich angezeigt ist.

## Netzanschlußkabel

Ein mitgeliefertes dreiadriges Anschlußkabel mit abisolierten Enden ist wie folgt anzuschließen:

BRAUN	-	STROMFÜHREND
BLAU	-	NEUTRAL
GRÜN/GELB	-	ERDE



Schutzerdesymbol

Beim Anbau eines abgesicherten Steckers ist eine 5 A Sicherung im Stecker anzubringen. Da die Farben der Adern im Netzkabel des Geräts unter Umständen nicht mit den Farben der Steckerklemmen übereinstimmen, wie folgt vorgehen:

Die grün/gelbe Ader ist an die Steckerklemme anzuschließen, die mit dem Buchstaben E, dem oben angegebenen Schutzerdesymbol oder grün oder grün/gelber Farbe versehen ist.

Die blaue Ader ist mit der Klemme zu verbinden, die mit dem Buchstaben N oder schwarzer Farbe gekennzeichnet ist.

Die braune Ader ist mit der Klemme zu verbinden, die mit dem Buchstaben L oder roter Farbe gekennzeichnet ist.

### **WARNUNG! DIESES GERÄT MUSS GEERDET WERDEN.**

Jegliche Unterbrechung des Schutzleiters innerhalb oder außerhalb des Geräts oder ein Abschließen des Schutzleiteranschlusses kann dazu führen, daß das Gerät gefährlich wird. Eine absichtliche Unterbrechung ist unzulässig.

## Ausgangseinstellung

Bei eingeschaltetem LEISTUNGSSCHALTER (I) und ausgeschaltetem AUSGANGS-DRUCKSCHALTER ist es möglich, mit Hilfe der drei Ausgangsverstellungen die Ausgangsspannung und Strombegrenzung genau einzustellen. Die linke Anzeige läßt die Spannung, die rechte die Stromstärke erkennen.

Nach dem Einschalten des AUSGABESCHALTERS leuchten die Netz-LED und die CV-LED (konstante Spannung). Die linke Anzeige zeigt weiterhin die eingestellte Spannung; auf der rechten Anzeige erscheint jetzt jedoch der aufgenommene Iststrom. Durch Drücken der Taste I METER DAMPING (ANZEIGEDÄMPFUNG) wird die Dämpfung der Stromanzeige ein- und ausgeschaltet. Während des Einschaltens leuchtet die Lampe DAMPED (GEDÄMPFT) und auf der Anzeige erscheint der Mittelwert der schwankenden Stromaufnahme.

Wenn die Ausgabe auf Strombegrenzung geht, leuchtet die Lampe CI (konstanter Strom) anstelle der Lampe CV und auf der linken Anzeige erscheint jetzt die Istspannung an den Ausgangsklemmen. Auf der rechten Anzeige erscheint weiterhin die eingestellte Strombegrenzung. Durch Drücken der Taste CHECK V/I (PRÜFUNG V/I) können jederzeit Sollspannung und Sollstrombegrenzung angezeigt werden.

Die Ausgänge verschiedener Stromversorgungen können in Reihe oder parallel geschaltet werden, um höhere Spannungen oder höhere Stromstärken zu erzeugen. Bei einer Reihenschaltung der Versorgungsquellen ist darauf zu achten, daß die max. Nennspannung irgendeiner Ausgangsklemme nicht überschritten wird (Spitzenspannung 300 V gegen Erde).

## Anschluß des Verbrauchers

Der Anschluß an die Ausgangsklemmen der Fronttafel kann durch Stecker 4 mm, Flachstecker oder Drahtenden durchgeführt werden. Um den Spannungsabfall zu minimieren, müssen die Anschlußkabel der Verbraucher einen ausreichenden Querschnitt haben und kurz gehalten werden. Verbraucherdrähte sind zu verdrallen, um die Selbstinduktion zu mindern.

Um Fehler durch den Leitungswiderstand bei größeren Stromstärken zu vermeiden, ist die Fernfassungseinrichtung zu verwenden (10 m $\Omega$  Leitungswiderstand führt zu einem Abfall von 0,2 V bei 20 A). Die beiden kurzen Brücken zwischen den hinteren Ausgangs- und Erfassungsklemmen entfernen und die Erfassungsklemmen direkt mit dem Verbraucher verbinden. Die Leistungsanschlüsse können an die vorderen oder hinteren Klemmen angelegt werden.

Um eine gute Verbindung zwischen Ausgang und Abtastung herzustellen, sind die Abtastdrähte mit den entsprechenden Ausgangsleitungen zu verdrallen, bevor die Ausgangsleitungen zusammen verdrallt werden. Der Spannungsabfall in jeder Ausgangsleitung darf 1 V nicht überschreiten. Wird die Fernfassung nicht mehr verwendet, müssen die Brücken zwischen den hintere Erfassungs- und Ausgangsklemmen wieder eingesetzt werden. Der Abtastanschluß wird jedoch auch intern über einen niedrigohmigen Widerstand hergestellt, und ohne Einsatz der Brücken entsteht nur ein kleiner Fehler zwischen Soll- und Istspannung.

Der Ausgang ist vollständig ungeerdet, und jede Klemme kann an Erde angeschlossen oder mit einer Spitzenspannung von 300 V gegen Erde erhoben werden. Derartige Spannungen sind jedoch gefährlich und erfordern große Vorsicht.

Mit Hilfe der Strombegrenzungsverstellung kann der Ausgangsstrom bis herunter auf eine Höhe von 10 mA begrenzt werden. Wie jedoch in allen Präzisionsstromversorgungseinheiten ist ein Kondensator über dem Ausgang vorgesehen, um Stabilität und gutes Einschwingverhalten zu gewährleisten. Dieser Kondensator wird durch die Ausgangsspannung geladen, und ein Kurzschluß der Ausgangsspannung erzeugt einen kurzen Stromimpuls während des Entladens des Kondensators; dieser ist unabhängig von der Einstellung der Strombegrenzung.



---

## Schutz

Der Überspannungsschutz ist im Bereich von 10 % bis 110 % der höchsten Versorgungsspannung einstellbar. Die Einstellung erfolgt durch Schraubendreher mit Hilfe des Potentiometers SET OVP (ÜBERSPANNUNGSSCHUTZ EINSTELLEN), der durch ein Loch in der Frontplatte zugänglich ist. Durch ein Drehen im Uhrzeigersinn (nach rechts) wird die Grenze vermindert. Nach Drücken der Taste READ OVP (ÜBERSPANNUNGSSCHUTZ LESEN) erscheint die Begrenzung direkt auf der linken Anzeige. Sollte die Ausgangsspannung den eingestellten Überspannungsschutz aus irgendeinem Grunde oder durch eine externe Spannung überschreiten, wird der Ausgang abgeschaltet.

Das Abschalten des Ausgangs erfolgt ebenfalls, wenn ein Thermistor die Übertemperatur eines Leistungshalbleiters erkennt, wenn die Abtastdrähte mit dem falschen Ausgang verbunden sind oder wenn es versucht wird, den Verbraucher an die Abtastleitungen anzuschließen.

Unter allen obigen Bedingungen erscheint die Meldung "TRIP" (AUSGELÖST) auf beiden Anzeigen. Nachdem der Grund für die Auslösung entfernt wurde, kann der normale Betrieb nach dem AUS- (O) und EINSCHALTEN (I) des Leistungsschalters fortgesetzt werden. Eine Diode schützt den Ausgang im Fall von Gegenspannungen. Ein kontinuierlicher Gegenstrom darf 3 A nicht überschreiten, obgleich gelegentliche Spitzen viel höher liegen können.

## Belüftung

Diese Geräte sind besonders leistungsvoll, können jedoch bei Volleistung eine erhebliche Wärme erzeugen. Das Stromversorgungsgerät wird nur durch Konvektion gekühlt, deshalb darf die Belüftung niemals behindert werden, um eine hohe Leistung und Sicherheit zu erhalten. Wenn das Stromversorgungsgerät in beschränktem Raum angeordnet ist, z.B. einem 19" Gestell, muß für ausreichende Belüftung zum Beispiel durch Verwendung eines Fremdlüfters gesorgt werden.

---

# Wartung und Instandsetzung

Die Hersteller bzw. deren Vertretungen im Ausland bieten die Instandsetzung von Geräten an, bei denen eine Störung aufgetreten ist. Wenn der Eigentümer die Wartungsarbeiten selbst durchführen möchte, hat er dafür Sorge zu tragen, daß diese Arbeiten ausschließlich von entsprechend qualifiziertem Personal und gemäß den Vorgaben im Wartungshandbuch ausgeführt werden, das direkt bei den Herstellern oder deren Vertretungen im Ausland bezogen werden kann.

## Sicherung

Die korrekte Sicherung für alle Modelle und Wechselstrombereiche ist:

**10 A, 250V, träge HBC Sicherung, 5 x 20 mm**

Bitte darauf achten, daß nur Sicherungen mit der richtigen Amperezahl und des angegebenen Typs zum Auswechseln verwendet werden. Der Gebrauch von provisorischen Sicherungen und das Kurzschließen von Sicherungshaltern ist verboten.

Zum Ersatz der Sicherung zunächst das Gerät von der Netzversorgung abschließen. Sechs Befestigungsschrauben am Deckel abschrauben und Deckel abheben. Die Sicherung gegen eine der korrekten Art austauschen und Deckel wieder anbauen.

Es ist zu beachten, daß es die Hauptfunktion der Sicherung ist, das Gerät zu schützen und beim Ausfall einer Schalteinrichtung jeglichen Schaden zu begrenzen. Wenn deshalb eine Sicherung durchbrennt, brennt sehr wahrscheinlich auch die Ersatzsicherung durch, da ein Fehler in der Versorgung vorliegt. Unter diesen Umständen ist das Gerät den Herstellern zwecks Wartung einzusenden.

## Reinigung

Falls die Stromversorgung der Reinigung bedarf, eine mit Wasser oder einem milden Detergens angefeuchteten Lappen benutzen. Anzeigefenster mit einem weichen, trockenen Lappen polieren.

**WARNUNG! ZUR VERMEIDUNG EINES ELEKTRISCHEN SCHLAGS BZW. BESCHÄDIGUNG DER STROMVERSORGUNGSEINHEIT, DAFÜR SORGEN, DASS KEIN WASSER INS GEHÄUSE EINDRINGT. UM SCHADEN AM GEHÄUSE BZW. AM ANZEIGEFENSTER ZU VERMEIDEN, KEINE LÖSUNGSMITTEL ZUR REINIGUNG VERWENDEN!**

Questo alimentatore appartiene alla Categoria di Sicurezza 1 secondo la classifica IEC ed è stato progettato in modo da soddisfare i criteri EN61010-1 (requisiti di Sicurezza per Apparecchiature di misura, controllo e per uso in laboratorio). È uno strumento di Categoria II di installazione e inteso per funzionamento con un'alimentazione normale monofase.

Questo strumento ha superato le prove previste da EN61010-1 e viene fornito in uno stato di sicurezza normale. Questo manuale contiene informazioni e avvertenze che devono essere seguite per assicurarsi di un'operazione sicura e mantenere lo strumento in condizioni di sicurezza.

Questo strumento è progettato per uso all'interno e in un ambiente d'inquinamento Grado 2, entro la gamma di temperatura da 5°C a 40°C con umidità relativa (non condensante) di 20% - 80%. Può occasionalmente essere assoggettato a temperature fra +5°C e -10°C senza comprometterne la sicurezza. Non usare in presenza di condensazione.

L'uso dello strumento in maniera non conforme a quanto specificato in queste istruzioni potrebbe pregiudicare la protezione di cui è dotato. Non usare lo strumento per misurare tensioni al di sopra dei valori nominali o in condizioni ambientali al di fuori di quelle specificate.

## **ATTENZIONE! QUESTO STRUMENTO DEVE ESSERE COLLEGATO A TERRA**

Una qualsiasi interruzione sia interna che esterna del collegamento a terra lo rende pericoloso. È proibito interrompere questo collegamento deliberatamente. La protezione non deve essere negata attraverso l'uso di un cavo di prolunga privo del filo di collegamento a terra.

Quando lo strumento è alimentato, alcuni morsetti sono sotto tensione e l'apertura dei coperchi o la rimozione di parti (eccetto quei componenti accessibili senza l'uso di attrezzi) può lasciare scoperti dei morsetti sotto tensione. L'apparecchiatura deve essere staccata da tutte le sorgenti di tensione prima di aprirla per regolazioni, manutenzione o riparazioni.

I condensatori collegati all'alimentazione interna possono essere carichi anche dopo aver staccato l'alimentazione ma si scaricano in circa 10 minuti dopo aver levato la corrente.

È consigliabile evitare, per quanto possibile, qualsiasi operazione di regolazione e di riparazione dello strumento sotto tensione e, qualora fosse inevitabile, dette operazioni devono essere eseguite da una persona specializzata in materia, che sia pienamente conscia del pericolo presente.

Quando sia chiaro che lo strumento è difettoso, o che ha subito un danno meccanico, un eccesso di umidità, o corrosione a mezzo di agenti chimici, la sicurezza potrebbe essere stata compromessa e lo strumento deve essere ritirato dall'uso e rimandato indietro per le prove e le riparazioni del caso.

Assicurarsi di usare solo fusibili della portata giusta e del tipo corretto durante eventuali sostituzioni. Sono proibiti sia l'uso di fusibili improvvisati che il corto circuito deliberato dei portavalvole.

Non bagnare lo strumento quando si pulisce.

Sullo strumento e in questo manuale si fa uso dei seguenti simboli.



Terminale di Terra



alimentazione ON (accesa)



Corrente Continua



alimentazione OFF (spenta)



Corrente Alternata

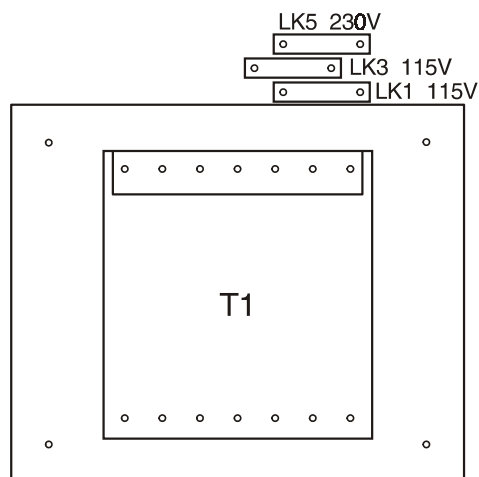
## Tensione d'esercizio

Controllare che la tensione d'esercizio dello strumento segnata sul pannello posteriore sia uguale a quella della rete elettrica locale. Se dovesse rendersi necessario cambiare la tensione d'esercizio, osservare il seguente procedimento:

1. Controllare che lo strumento sia scollegato dall'alimentazione a c.a.
2. Rimuovere le 6 viti che tengono la parte superiore del corpo e sollevare il coperchio.
3. Cambiare il collegamento vicino al trasformatore sul circuito stampato:

Collegare soltanto LK5 per tensione d'esercizio di 230V.

Collegare solo LK1 e LK3 per tensione d'esercizio di 115V.



4. Riasssemblare invertendo la procedura di smontaggio.
5. Per soddisfare le norme di antinfortunistica, la tensione segnata sul pannello posteriore deve essere opportunamente modificata per mostrare chiaramente la nuova impostazione di tensione.

## Cavo d'Alimentazione

Quando viene fornito un cavo tripolare ad estremità scoperte per il collegamento a rete, questo dovrebbe essere connesso nel modo seguente:

MARRONE	-	RETE FASE
BLU	-	RETENEUTRO
VERDE/GIALLO	-	TERR



Simbolo di Sicurezza di Terra

Quando si monta una spina con fusibile, un fusibile a 5 amp dovrebbe essere inserito nella spina. Dato che i colori dei fili nel cavo di collegamento a rete di questo apparecchio potrebbero non corrispondere ai segni colorati che identificano i morsetti nella vostra presa, procedete come segue:

Il filo di colore verde e giallo deve essere connesso al morsetto nella presa che è marchiato con la lettera E o con il simbolo della terra mostrato sopra o di colore verde o verde e giallo.

Il filo di colore blu deve essere connesso al morsetto marchiato con la lettera N o di colore nero.

Il filo di colore marrone deve essere connesso al morsetto marchiato con la lettera L o di colore rosso.

### **AVVERTENZA! QUESTO APPARECCHIO DEVE ESSERE MESSO A TERRA.**

Qualsiasi interruzione del conduttore all'interno o all'esterno dell'apparecchio o sconnessione del morsetto protettivo della terra può verosimilmente rendere l'apparecchio pericoloso. L'interruzione intenzionale è proibita.

## Regolazione dell'Output [Livello d'Uscita].

Quando l'interruttore POWER [alimentazione] è acceso e il pulsante OUTPUT [livello d'uscita] è spento, il voltaggio d'uscita e il limite della corrente possono venire regolati accuratamente usando i tre controlli dell'uscita: il contatore sulla sinistra indica il voltaggio e quello sulla destra la corrente prescelti.

Quando l'OUTPUT è acceso, il LED ON e il LED CV (voltaggio costante) si accendono; il contatore sulla sinistra continua a mostrare il voltaggio scelto ma il contatore sulla destra mostra ora la reale corrente ricevuta. Premendo alternativamente il tasto I METER DAMPING [lettura fissa del contatore I] si attiverà e disattiverà la lettura fissa del contatore di corrente; con la lettura fissa attivata il DAMPED LED [fissato] sarà acceso e il valore medio di un carico di corrente variabile verrà letto.

Se il livello d'uscita rientra nel limite di corrente il LED CI (corrente costante) si accenderà invece del LED CV ed il contatore sulla sinistra mostrerà ora il valore reale del voltaggio che arriva ai morsetti d'uscita; il contatore sulla destra continuerà a mostrare il limite di corrente fissato. Il voltaggio e il livello di corrente prescelti possono venire rivisti schiacciando il tasto CHECK V/I [controllo V/I]. Delle uscite da diversi alimentatori possono venire connesse in serie o in parallelo per produrre rispettivamente dei voltaggi più alti o delle correnti più alte. Quando si connettono degli alimentatori in serie ci si deve assicurare che il valore massimo di voltaggio di ogni morsetto d'uscita (300 V picco massimo rispetto alla massa reale) non venga superato.

## Connessione al Carico

La connessione con i morsetti d'uscita del pannello frontale può essere eseguita con degli spinotti da 4 mm, dei terminali a lancia o con le estremità dei fili. Per ridurre al minimo la caduta di voltaggio, i cavi di connessione al carico dovrebbero essere di diametro adeguato e dovrebbero essere tenuti corti. I cavi di carico dovrebbero inoltre essere intrecciati fra di loro per ridurre al minimo l'induttanza.

Per superare delle malfunzioni provocate dalla connessione della resistenza del cavo a delle correnti più alte si dovrebbe usare la funzione di rilevamento a distanza (10 mΩ di resistenza del cavo faranno perdere 0,2 Volt a 20 amp). Rimuovete i due contatti di corto fra i morsetti dell'uscita e i morsetti di rilevamento sul retro e collegate i morsetti del rilevamento direttamente al carico; le connessioni di potenza possono essere fatte sia dai morsetti frontali che da quelli posteriori.

Per assicurare un buon accoppiamento fra l'uscita e il rilevamento, i cavi del rilevamento dovrebbero venire intrecciati con i loro corrispondenti cavi dell'uscita prima che i cavi dell'uscita siano intrecciati assieme. La perdita di voltaggio in ogni singolo cavo d'uscita non deve superare 1 Volt.

I collegamenti di corto fra i morsetti del rilevamento sul retro ed i morsetti dell'uscita devono venire rifatti quando il controllo a distanza non viene più usato. In ogni caso, la connessione del rilevamento è anche fatta internamente all'apparecchio tramite una resistenza di basso valore e solo un piccolo errore risulterà fra il voltaggio prescelto e quello reale se i contatti vengono lasciati sconnessi.

L'uscita è completamente fluttuante ed uno qualsiasi dei due morsetti può essere messo a massa o alzato di un valore fino a 300 V di picco al di sopra della massa reale; comunque tali voltaggi sono pericolosi e si deve usare grande cautela.

Il controllo del limite della corrente può venire regolato in modo tale da limitare il flusso continuo della corrente d'uscita a dei livelli minimi fino a 10 mA. Comunque, come per tutte le alimentazioni da banco di precisione, un condensatore è connesso trasversalmente all'uscita per mantenere la stabilità ed una buona risposta ai transistori. Questo condensatore si carica al voltaggio d'uscita, ed un corto circuito dell'uscita produrrà un breve impulso di corrente mentre il condensatore si scarica, il quale è indipendente dai valori fissati del limite della corrente.

---

## Protezione

La protezione di sovratensione (OVP) è completamente variabile nei limiti dal 10% al 110% del livello massimo d'uscita dell'alimentazione. Il limite di OVP viene fissato tramite il potenziometro preimpostato SET OVP regolabile per mezzo di un cacciavite ed accessibile da un'apertura sul pannello frontale. Girando in senso orario dalla posizione preimpostata si aumenta il limite, che può essere letto direttamente sul display di sinistra premendo il tasto READ OVP [leggi OVP]. se il voltaggio all'uscita è superiore al valore di OVP prefissato per qualsiasi motivo, includendo un voltaggio forzato dall'esterno, l'interruzione dell'uscita verrà fatta scattare.

L'uscita verrà pure interrotta se il sensore termico riscontra il surriscaldamento di uno dei semiconduttori di potenza, o se i cavi di rilevamento vengono collegati all'uscita sbagliata, o se si cerca di prendere tensione dai fili del rilevamento

In tutti i casi esposti sopra il messaggio TRIP [interruzione] verrà mostrato su ambedue i display. Una volta che la causa dell'interruzione è stata rimossa, il funzionamento normale può essere ripreso spegnendo (O) e poi riaccendendo l'interruttore POWER (I). L'uscita è protetta dalla tensione inversa da un diodo; la tensione inversa continua non deve eccedere i 3 amp, anche se dei picchi transitori possono essere molto più alti.

## Ventilazione

Questi apparecchi sono molto efficienti ma a piena potenza possono comunque sviluppare un notevole calore. Gli alimentatori si basano unicamente sul raffreddamento per convezione ed è quindi importante che la ventilazione non sia mai limitata se si vogliono salvaguardare le prestazioni e la sicurezza. Se gli alimentatori sono montati in uno spazio angusto, per esempio un rack da 19 pollici, si deve assicurare una ventilazione adeguata usando, per esempio, un piatto di ventilazione.

---

## Manutenzione

Il Fabbricante, od il suo Rappresentante all'estero, fornirà un servizio di riparazione per gli strumenti che si guastino. Se il proprietario desidera eseguire la manutenzione per proprio conto, questo deve essere fatto unicamente con l'ausilio del Manuale di Assistenza che può essere acquistato direttamente dal fabbricante o dai suoi agenti all'estero.

## Fusibile

Il tipo di fusibile corretto per tutti i modelli e tutte le diverse fonti di corrente alternata è:

**10 Amp 250V ritardo HBC, 5 x 20 mm**

Assicuratevi che i fusibili vengano sostituiti solo con altri che abbiano la corrente nominale richiesta e che siano del tipo specificato. È proibito l'uso di fusibili di fortuna ed il mettere in corto i porta fusibili.

Per cambiare il fusibile, come prima cosa sconnettere lo strumento dalla presa di corrente alternata. Togliere le 6 viti che assicurano il pannello, alzarlo e toglierlo. Sostituire il fusibile con un fusibile del tipo corretto e rifissare il pannello.

Si noti che la funzione principale del fusibile è quella di rendere lo strumento sicuro e di limitare i danni nel caso che una dei dispositivi di commutazione si guasti. È quindi molto probabile che se un fusibile viene meno anche il sostituto fonda, perché l'alimentatore si è guastato; in questo caso lo strumento dovrà essere rimandato alla fabbrica per la riparazione.

## Pulizia

Se si deve pulire il dispositivo di alimentazione, usare uno strofinaccio appena bagnato con acqua o con un detergente ad azione dolce. Pulire la finestrella della visualizzazione con uno straccio asciutto e morbido.

**ATTENZIONE! PER EVITARE LA SCOSSA ELETTRICA ED EVENTUALI DANNI AL DISPOSITIVO DI ALIMENTAZIONE, NON PERMETTERE MAI ALL'ACQUA DI ENTRARE ALL'INTERNO DELL'ALLOGGIAMENTO. PER EVITARE DANNI ALL'ALLOGGIAMENTO E ALLA FINESTRELLA DELLA VISUALIZZAZIONE, NON PULIRE MAI CON SOLVENTI.**

Esta fuente de alimentación es un dispositivo de Clase de Seguridad I según la clasificación del IEC y ha sido diseñado para cumplir con los requisitos de la norma EN61010-1 (Requisitos de Seguridad para Equipos Eléctricos para la Medición, Control y Uso en Laboratorio). Es un instrumento de Categoría de Instalación II propuesto para ser usado con un suministro monofásico normal.

Este instrumento ha sido comprobado según la norma EN61010-1 y ha sido suministrado en una condición segura. El manual de instrucciones contiene información y advertencias que deben seguirse para asegurar el empleo seguro por el usuario y para mantener al instrumento en una condición segura.

Este instrumento ha sido diseñado para ser utilizado en el interior en un ambiente de Grado de Polución 2 a temperaturas de entre 5°C y 40°C y una humedad relativa de entre el 20% y el 80% (sin condensación). De manera ocasional puede someterse a temperaturas de entre +5°C y -10°C sin que ello afecte a su seguridad. No hay que ponerlo en funcionamiento mientras haya condensación.

El uso de este instrumento en una manera no especificada por estas instrucciones puede afectar la seguridad protectora provista. El instrumento no debe ser utilizado fuera de su clasificación de voltaje o de su gama ambiental.

## ADVERTENCIA! ESTE INSTRUMENTO DEBE CONECTARSE A TIERRA

Cualquier interrupción del conductor a tierra dentro o fuera del instrumento implicaría que el instrumento resultará peligroso. Está prohibida cualquier interrupción intencional. La acción protectora no debe negarse por el uso de una extensión de cable sin conductor protector.

Cuando el instrumento está conectado a su suministro es posible que queden sin protección elementos bajo tensión y la abertura de tapas o el retiro de piezas (salvo las accesibles por la mano) pueden dejar expuestos a elementos bajo tensión. Si se tuviera que efectuar alguna operación de ajuste, cambio, mantenimiento o reparación es necesario desconectar al instrumento de todas las fuentes de tensión. Los capacitores dentro del aparato pueden permanecer cargados aún cuando las fuentes de tensión hayan sido desconectadas, pero quedarán seguramente descargadas a 10 minutos de haber desconectado la corriente.

Todo ajuste, mantenimiento o reparación del instrumento abierto bajo tensión debe ser evitado en lo posible, pero si fuera ineludible, estos trabajos deben ser realizados exclusivamente por un personal cualificado consciente del riesgo que implican.

Si el instrumento fuera claramente defectuoso, hubiera sido sometido a un daño mecánico, a humedad excesiva o a corrosión química, su protección de seguridad puede fallar y el aparato debe dejarse de usar y devolverse para su comprobación y reparación.

Asegurar que sólo se empleen fusibles de la clasificación y tipo especificados para todo recambio. Está prohibido utilizar fusibles improvisados así como cortocircuitar el portafusibles.

El instrumento no debe humedecerse al ser limpiado. Los símbolos que aparecen a continuación se utilizan en el instrumento y en este manual:-



Terminal a tierra



alimentación principal ON (conectada)



alimentación principal OFF (desconectada)



corriente continua (cc)



corriente alterna (ca)

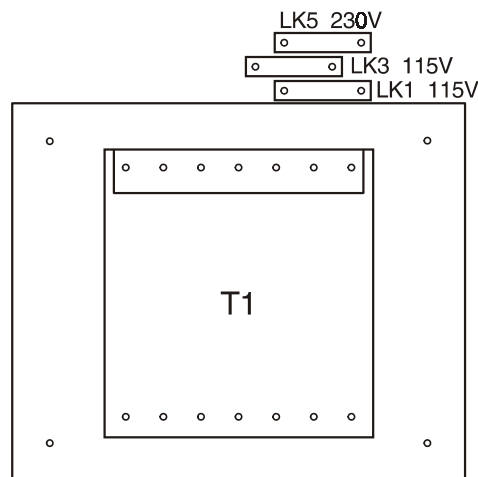
## Voltaje de trabajo de alimentación

Verificar que el voltaje de trabajo de alimentación que figura en el panel posterior concuerde con el suministro local. Si fuese necesario cambiar la gama de voltajes de trabajo, proceda de la siguiente manera:

1. Cerciorarse de que el instrumento esté desconectado del suministro de CA.
2. Retirar los 6 tornillos que sujetan la parte superior de la caja y separar la tapa.
3. Cambiar el puente de 0 ohmios adecuado, junto al transformador en la tarjeta de circuito impreso:

Puente LK5 sólo para funcionamiento a 230 V

Puente LK1 y LK3, sólo para funcionamiento a 115 V



4. Volver a montar en el orden inverso.
5. Con el fin de cumplir con los requisitos de las normas de seguridad es necesario cambiar el voltaje de trabajo de alimentación marcado en el panel posterior para indicar claramente el nuevo ajuste de tensión.

## Cable de Red

Cuando se suministra un cable de tres conductores con puntas peladas, se deberá conectar como sigue:

MARRO	-	CORRIENTE DE RED
AZUL	-	NEUTRO DE RED
VERDE/AMARILLO	-	TIERRA



Símbolo de Seguridad de Tierra

Al montar un enchufe con fusible incorporado se debe emplear un fusible de 5 amp. Como los colores de los conductores del cable de red del aparato pueden no corresponder a los colores marcados en su enchufe, se debe proceder como se indica seguidamente:

El conductor de color verde y amarillo debe conectarse a la terminal del enchufe marcada con la letra E o con el símbolo de seguridad de tierra mostrado arriba o coloreado verde o verde y amarillo.

El conductor de color azul debe conectarse a la terminal marcada con la letra N o de color negro.

El conductor de color marrón debe conectarse a la terminal marcada con la letra L o de color rojo.

### **AVISO! ESTE INSTRUMENTO DEBE PONERSE A TIERRA**

Cualquier interrupción del conductor de protección dentro o fuera del instrumento o cualquier interrupción de la terminal de tierra implicaría un peligro probable para el usuario del instrumento. Está prohibida toda interrupción intencional.

## Ajuste de la Salida

La salida de tensión y el límite de corriente pueden fijarse con precisión mediante el interruptor POWER (de fuerza) en la posición on (I) (conectado) y el pulsador OUTPUT (de salida) en la posición off (desconectado), usando los tres controles de salida; el medidor izquierdo indica la tensión fijada y el medidor derecho la corriente fijada.

Cuando el OUTPUT está en la posición on, se encenderán el LED ON (diodo emisor de luz salida conectada) y el LED CV (diodo emisor de luz voltaje constante) se encenderá; el medidor izquierdo seguirá mostrando la tensión fijada pero el medidor derecho mostrará la cantidad de corriente tomada. Al presionar el botón I METER DAMPING (Amortiguación del Medidor de Corriente) alternativamente se conseguirá que la amortiguación del medidor se conecte o desconecte; si la amortiguación está conectada, el DAMPED LED (diodo emisor de luz de amortiguación) se encenderá y el valor promedio de una carga de corriente variante será leído.

Si la salida llega al límite de corriente el CI LED (diodo emisor de luz de corriente constante) se encenderá en vez del CV LED (diodo emisor de luz de voltaje constante) y el medidor izquierdo mostrará el voltaje corriente de las terminales de salida; el medidor derecho seguirá mostrando el límite de corriente fijado.

Los niveles de voltaje y de corriente fijados pueden verificarse en cualquier instante presionando el botón CHECK V/I (Verificar Voltaje/ Corriente).

Las salidas de varios suministros pueden conectarse en serie o en paralelo para producir voltajes más altos o corrientes más altas respectivamente. Se debe tener cuidado al conectar a suministros en serie para asegurar que la capacidad de voltaje máximo de la terminal (300V cresta máxima con respecto a la tierra real) no sea superada.

## Conexión a la Carga

La conexión a las terminales de salida del panel frontal puede realizarse mediante enchufes de 4mm, terminales planas o puntas de alambres. Para minimizar la caída de tensión es necesario que los conductores de conexión a la carga sean de un calibre adecuado y de poca longitud. Los cables de la carga deben retorcerse juntos para minimizar la inductancia.

Para superar los errores introducidos por la resistencia del conductor conector a altas corrientes se debe emplear la prestación de detección remota (10 mΩ de resistencia del cable caerá de 0,2 Voltios a 20 Amps). Retirar los dos acoplamientos de cortocircuito situados entre la salida trasera y las terminales detectoras y conectar los detectores directamente a la carga; las conexiones a la fuerza pueden realizarse tanto mediante los terminales delanteros como los traseros. Para asegurar un buen acoplamiento entre la salida y el detector, los cables del detector tienen que retorcerse con los conductores correspondientes de la salida antes de retorcer entre sí a los conductores de salida.

La caída de tensión en cada conductor de salida no debe superar 1 Voltio.

Los acoplamientos de cortocircuito deben volver a realizarse entre el detector trasero y las terminales de salida cuando no se utilice la detección remota. La conexión de detectores también puede efectuarse internamente con una resistencia de poco valor y un error muy pequeño entre el voltaje fijado y el corriente podrá resultar si el acoplamiento se deja desconectado.

La salida es totalmente flotante y cualquier terminal puede conectarse a tierra o elevarse hasta una cresta de 300V sobre tierra real; tales tensiones son, no obstante, peligrosas y se deben tomar las precauciones debidas.

El control de límite de corriente puede fijarse de modo que se limite la salida de corriente continua a niveles de hasta 10mA. Sin embargo, como sucede con todos los suministros de fuerza de precisión para mesas de trabajo, se debe conectar a un capacitor a través de la salida para mantener buena estabilidad y una buena respuesta en estado transitorio. Este



---

capacitor se carga a la tensión de salida y el cortocircuito de la salida producirá un pulso corto de corriente cuando el capacitor se descarga que es independiente del límite de corriente fijado.

## Protección

La protección contra la sobrecarga de tensión (OVP) es totalmente variable dentro de la gama 10% a 110% del nivel de salida máximo del suministro. El límite de OVP se fija mediante el potenciómetro prefijado SET OVP (fijar protección contra sobrecarga de tensión), ajustable por destornillador, al que se accede a través de un orificio en el panel frontal. Al rotar el prefijado a la derecha se aumenta el límite, que puede leerse directamente en el visualizador de la izquierda al presionar el botón READ OVP (leer protección contra sobrecarga de tensión). Si el voltaje de la salida supera al OVP fijado por cualquier motivo, incluyendo un voltaje forzado internamente, la salida se “disparará”, cortándose.

La salida también se “disparará” si el detector térmico encuentra el recalentamiento de cualquiera de los semiconductores de fuerza, o si los cables detectores están cableados a la salida equivocada o si se tratara de extraer fuerza de los cables detectores. En todos los casos anteriores el mensaje 'TRIP' (disparo) aparecerá en ambas pantallas. Una vez se corrija la causa del disparo, se restaurará el funcionamiento normal al desconectar el interruptor de fuerza POWER y volver a conectarlo en posición on (I) nuevamente.

La salida está protegida contra tensiones inversas por un diodo; la corriente continua inversa no debe superar 3 Amps, aunque los estados transitorios pueden ser mucho más altos.

## Ventilación

Estos aparejamiento son muy eficaces pero pueden generar mucho calor a fuerza plena. Los suministros dependen del enfriamiento por convección solamente y por lo tanto es muy importante que la ventilación no esté restringida si se quieren mantener el rendimiento y la seguridad. Si los suministros están montados en un espacio restringido, p. ej. un estante de 19 pulgadas, se debe asegurar una ventilación adecuada usando, por ejemplo, un ensamble ventilador.

---

# Mantenimiento

Los fabricantes o sus representantes en el extranjero ofrecen un servicio de asistencia que se encarga de reparar las averías que pudieran producirse en estos instrumentos. Si los usuarios desearan establecer su propio servicio de mantenimiento, esto solo debería ponerse en práctica en combinación con el Manual de Servicio que se puede adquirir directamente al fabricante o a sus representantes en el extranjero.

## Fusible

El tipo correcto de fusible para todos los modelos y para toda gama de suministro de CA es:

**10 Amp 250V HBC retardado, 5 x 20 mm**

Asegurarse que al efectuar un cambio sólo se usen fusibles de clasificación adecuada y del tipo especificado. Está prohibido usar fusibles improvisados así como el cortocircuito de los portafusibles. Para cambiar un fusible, primero se debe desconectar al instrumento de su suministro de CA. Retirar los 6 tornillos que aseguran la tapa y sacar a ésta. Cambiar al fusible por uno del tipo correcto y volver a poner la tapa.

Se debe observar que la función principal del fusible es la de hacer que el instrumento sea seguro y el limitar daños en el caso de la falla de uno de los dispositivos interruptores.

Si uno de los fusibles fallare es probable que su reemplazo también se funda puesto a que el suministro ha desarrollado una falla; en tal caso será necesario devolver al instrumento al fabricante para su reparación.

## Limpieza

Si necesita limpiarse la unidad de suministro de fuerza, utilizar un paño húmedo en agua o en un detergente suave. La ventana de visualización debe limpiarse con un paño suave y seco.

**ADVERTENCIA! PARA EVITAR CHOQUES ELÉCTRICOS O DAÑAR A LA UNIDAD DE SUMINISTRO DE FUERZA, NUNCA DEJE ENTRAR AGUA EN LA CARCASA. PARA EVITAR QUE LA CARCASA O LA VENTANA DE VISUALIZACIÓN SEAN DAÑADOS, NUNCA LIMPIE CON SOLVENTES.**