

Quad Ridged Horn Antenna Model QRH0422

Electrical Specifications

Frequency Range	3.6 GHz – 22 GHz
VSWR (max.)	2.4
VSWR (avg.)	1.4
Impedance	50 Ω
Connector	SMA (female)
Power (CW/Peak)	120 W / 250 W
Antenna Factor	33 – 43 dB/m
Port Isolation	-32 dB
Polarization	Dual Linear, Circular (with hybrid)

Physical Specifications

Width	60 mm (2.362 in)
Height	97 mm (3.819 in)
Depth	60 mm (2.362 in)
Weight	0.193 kg (0.425 lb)

Operating Conditions

Rated Temperature Range	0 °C – +50 °C
Storage Temperature Range	-20 °C – +60 °C

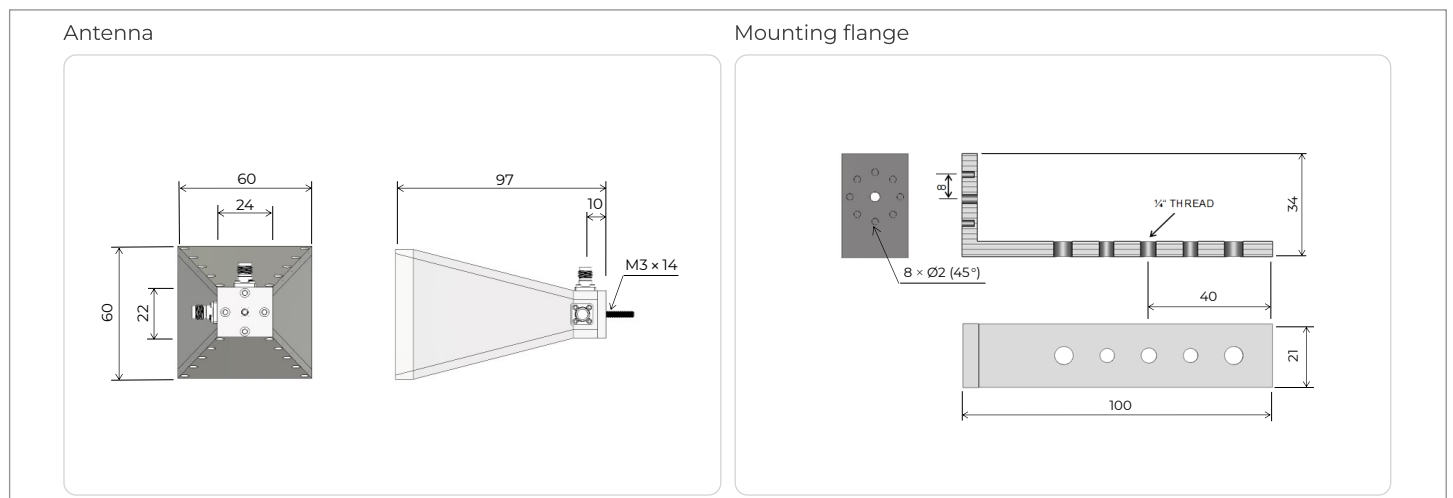


Mounting Flange

Mounting

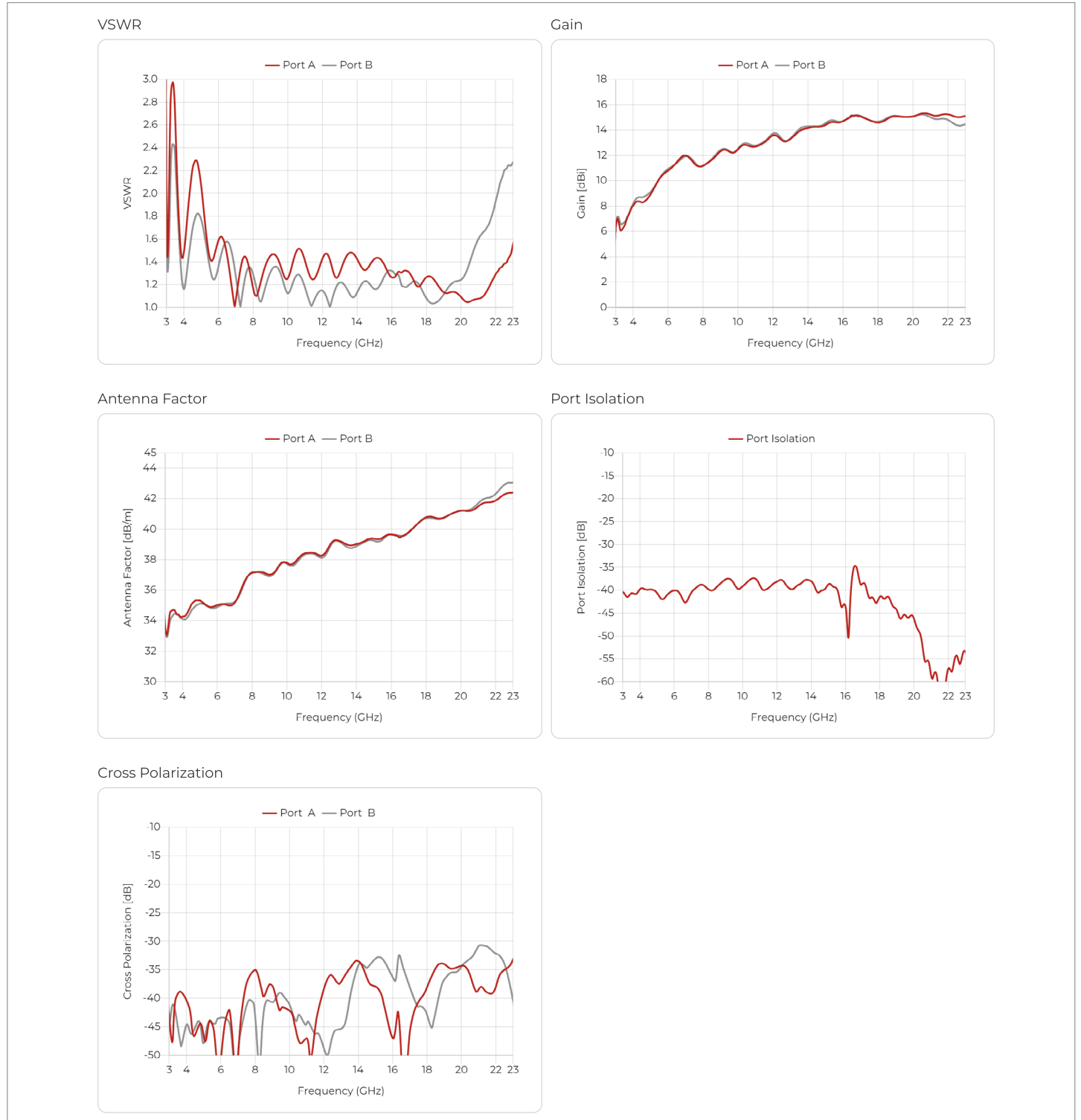
Adapter with ¼ inch inner thread, supplied with antenna

Mechanical Drawings



Quad Ridged Horn Antenna Model QRH0422

Typical Parameters

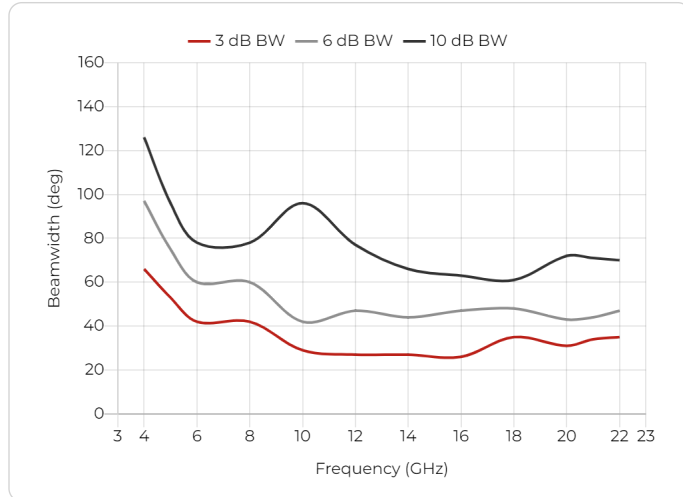


Quad Ridged Horn Antenna Model QRH0422

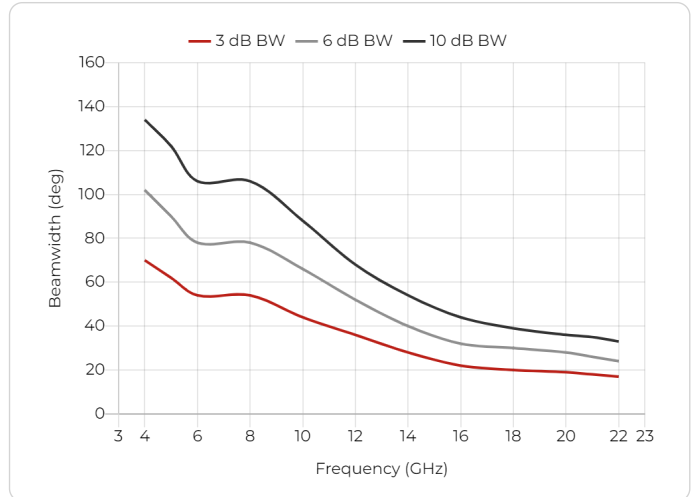


Beamwidth

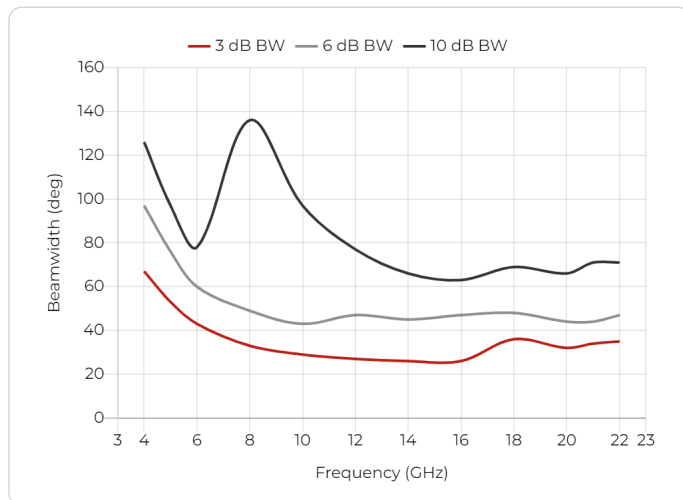
Port A, E plane



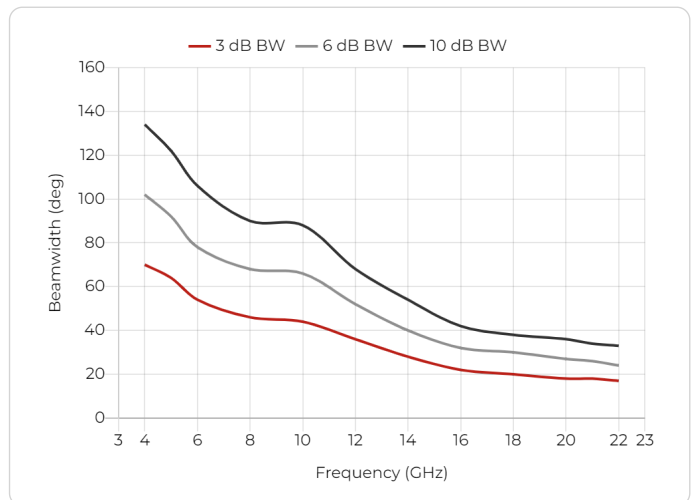
Port A, H plane



Port B, E plane



Port B, H plane



Deutschland
Telemeter Electronic GmbH
 Joseph-Gänsler-Str. 10, 86609 Donauwörth
 Tel. +49 906 70693-0, Fax +49 906 70693-50
 info@telemeter.de, www.telemeter.info

Schweiz
Telemeter Electronic GmbH
 Romanshornstr. 117, 8280 Kreuzlingen
 Tel. +41 71 6992020, Fax +41 71 6992024
 info@telemeter.ch, www.telemeter.info

Tschechische Republik
Telemeter Electronic s.r.o.
 České Vrbné 2364, 37011 České Budějovice
 Tel. +420 38 5310637 und +420 38510143
 info@telemeter.cz, www.telemeter.info

Quad Ridged Horn Antenna Model QRH0422

Radiation Patterns - Port A



Quad Ridged Horn Antenna Model QRH0422

Radiation Patterns - Port B

