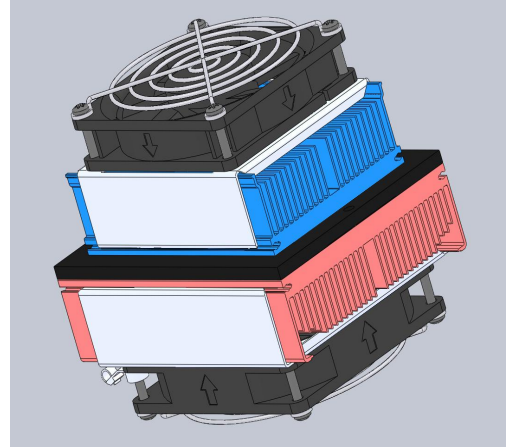


**Thermoelectric AIR conditioner**

0000-AA-034-12-00

<b>Specifications:</b>	
Cooling Power $Q_{cmax}$ (W)	35
Running Current (A)	5.0
Nominal Voltage (V)	12
Max Voltage (V)	15
Power Input (W)	60
Operating Temperature (°C)	-10 to 50
Weight (kg)	1.0
MTBF (fans – hrs)	70,000
Performance Tolerance	±10%



**Features**

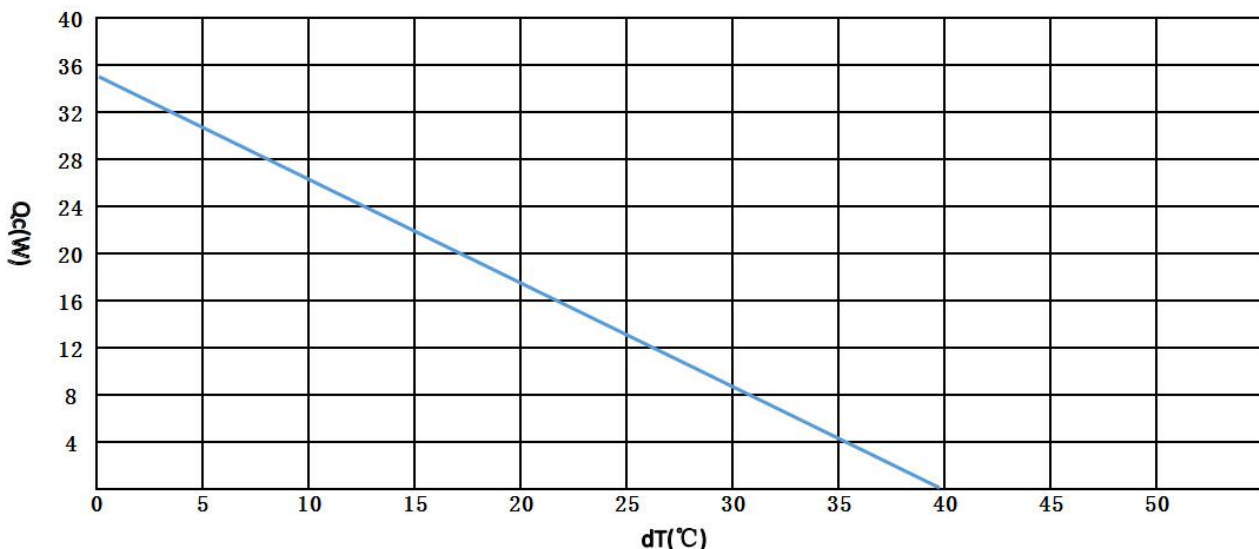
- Compact design
- Precise temperature control
- Reliable solid-state operation
- DC operation
- RoHS compliant

**Applications**

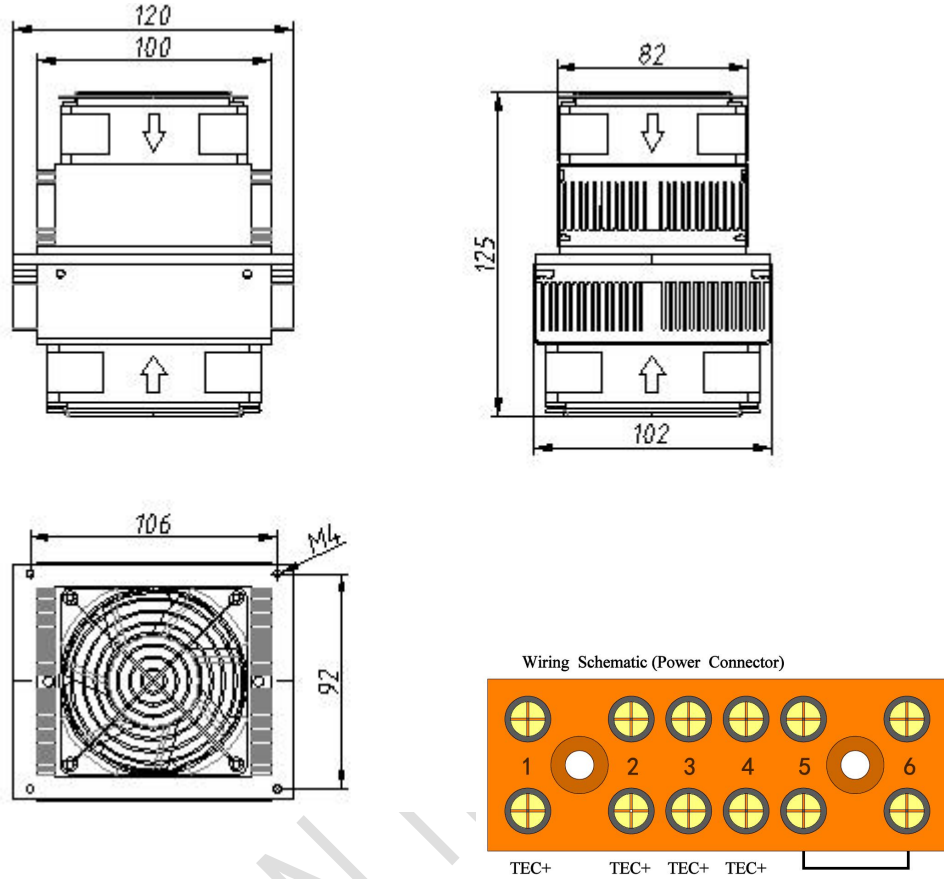
- Analytical instrumentation
- Medical diagnostics
- Photonics laser systems
- Industrial instrumentation
- Food and beverage cooling

All products are manufactured in an ISO 9001:2008 & ISO/TS 16949:2009 certified facility and are designed to meet the cooling needs of many thermal management applications in the medical, analytical, industrial and telecom markets.

**Performance Curve**



**Mechanical Drawing:**



**Installation and Service manual**

**Installation:**

The TE assembly is mounted in a cabinet with “Warm side” mounted externally;

Suitable cabinet cutout is 84x102mm;

Recommended for general purposes: the TE assembly is fastened with 4Xm3 machine screws,4x M3 flat washers so that the gasket material will seal off around the flange of the assembly;

**Service:**

Fan impellers and heat sinks must be cleaned on regular intervals to reduce risk for overheating and reduction of cooling function.

**Address:** 5/F Xinfai Building 28<sup>th</sup> Xiangming Road,Torch (xiang'an) Hi-tech Zone, Xiamen Fujian China.

**Sales Tel:** +86-592-352 1988

**Fax:** +86-592-352 1989

**Postcode:** 361 011

**Web:** [www.pengnantech.com](http://www.pengnantech.com)