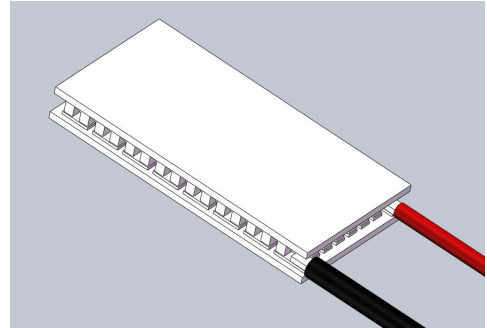


**Thermoelectric Cooler Performance Specifications**

TES1-063025-15X30S-W150

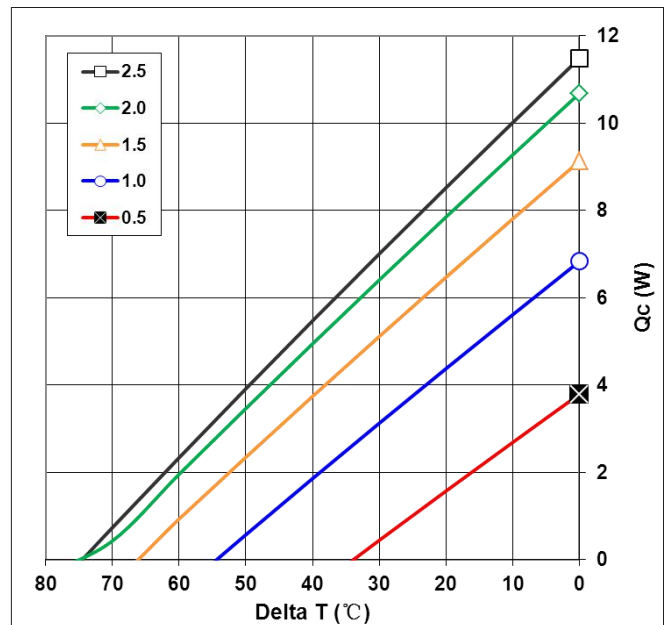
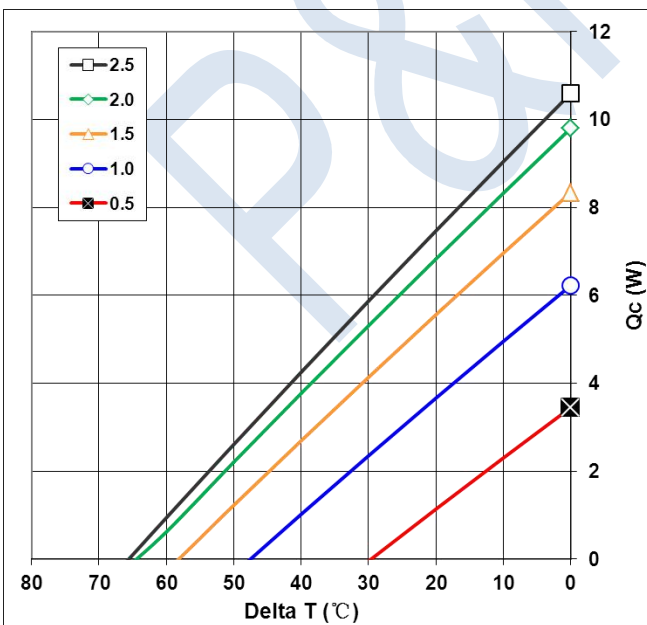
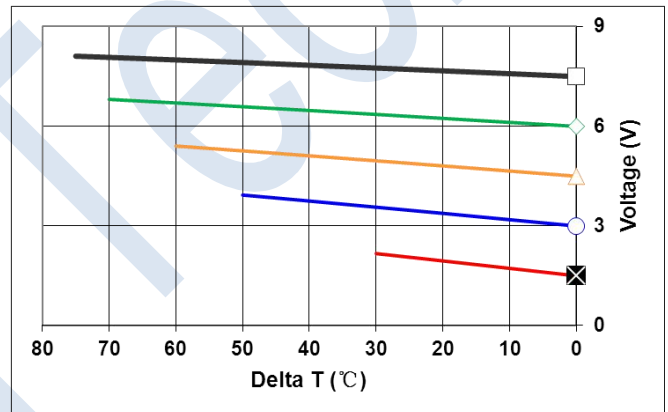
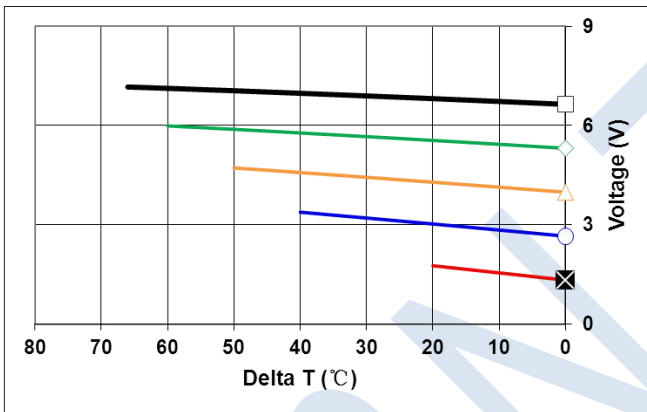
Hot Side Temperature(°C)	27 °C	50 °C
Qmax (Watts)	10.6	11.6
Delta Tmax(°C)	68	75
I <sub>max</sub> (Amps)	2.5	2.5
V <sub>max</sub> (Volts)	7.6	8.6
Module Resistance(Ohms)	2.67	3.01

\*\*Tolerances for thermal and electrical parameters ± 10%.

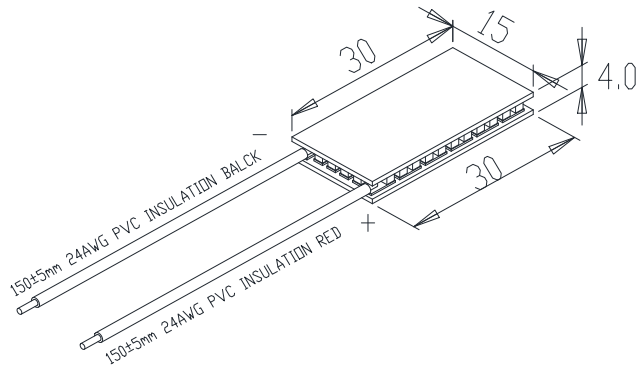


**Performance Curves Th=27 °C**

**Performance Curves Th=50 °C**



## Mechanical Drawing:



Module is sealed by RTV sealant.

**Operation Tips:**

- Max Operating Temperature: **90°C**.
- Do not exceed  $I_{max}$  or  $V_{max}$  when operating module.
- Please consult P&N Technology for moisture and corrosion protection options.

**Address:** 5/F Xinfai Building 28<sup>th</sup> Xiangming Road, Torch (xiang'an) Hi-tech Zone, Xiamen Fujian China.

**Sales Tel:** + 86 - 592 - 352 1988

**Fax:** +86-592-352 1989

**Postcode:** 361 101

**Web:** [www.pengnantech.com](http://www.pengnantech.com)