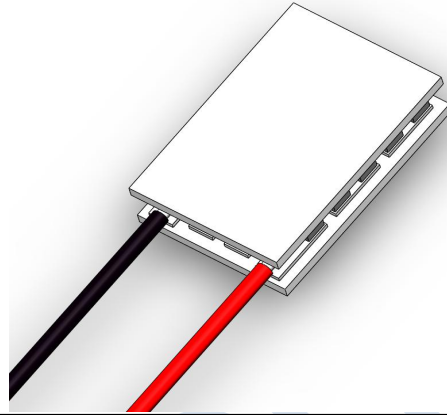


**Thermoelectric Cooler Performance Specifications**

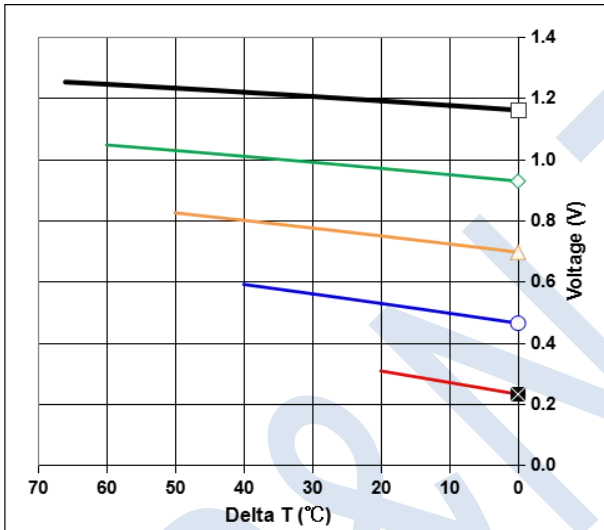
**TEC1-011060-10X15S-W150**

Hot Side Temperature(°C)	27 °C	50 °C
Qmax (Watts)	4.4	3.1
Delta Tmax(°C)	69	75
I <sub>max</sub> (Amps)	6	6
V <sub>max</sub> (Volts)	1.3	1.41
ModuleResistance(Ohms)	0.187	0.211

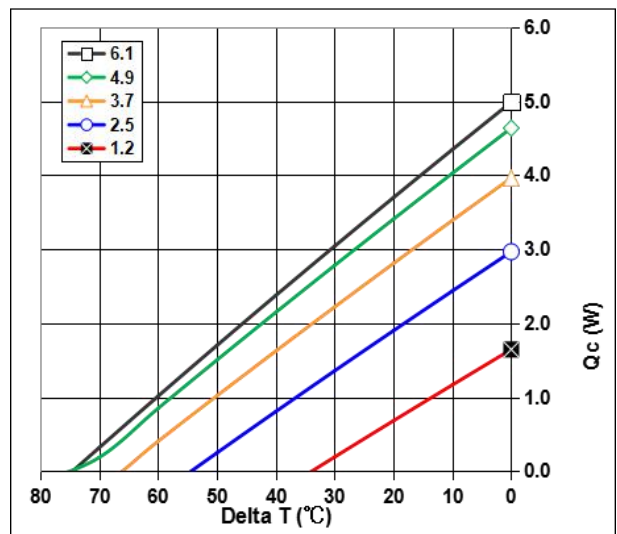
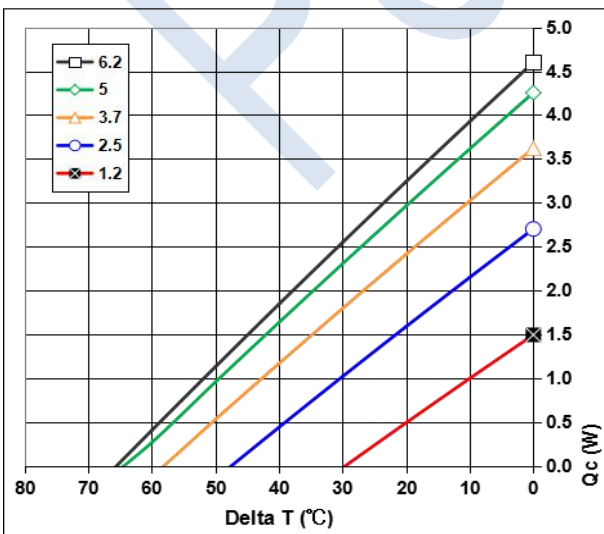
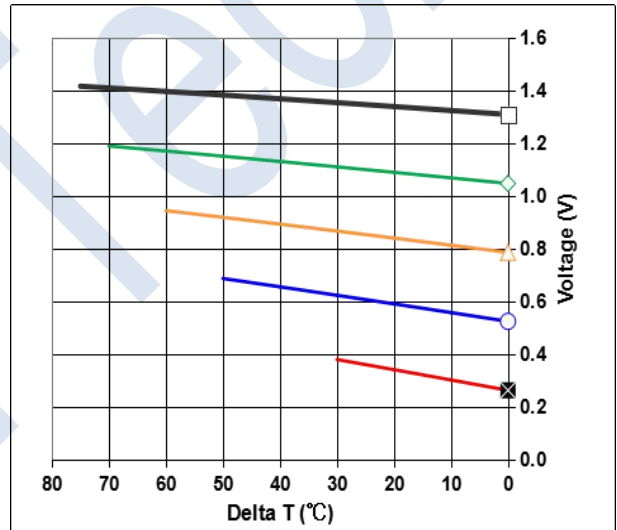
\*\*Tolerances for thermal and electrical parameters ± 10%.



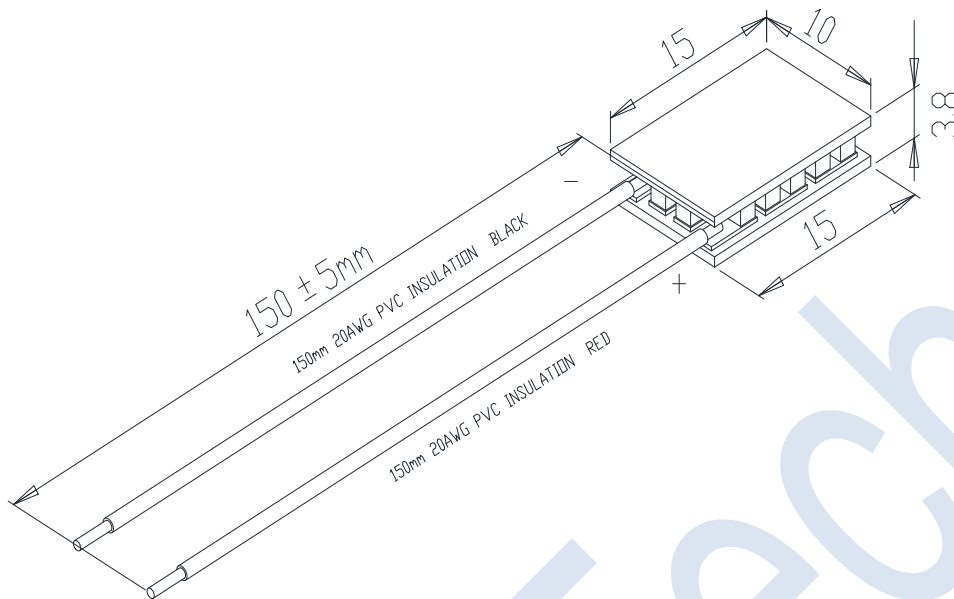
**Performance Curves Th=27 °C**



**Performance Curves Th=50 °C**



## Mechanical Drawing:



Module is sealed by RTV sealant.

## Operation Tips:

- Max Operating Temperature: **90°C**.
- Do not exceed  $I_{max}$  or  $V_{max}$  when operating module.
- Please consult P&N Technology for moisture and corrosion protection options.

**Address:** 5/F Xinfai Building 28<sup>th</sup> Xiangming Road, Torch (xiang'an) Hi-tech Zone, Xiamen Fujian China.

**Sales Tel:** + 86 - 592 - 352 1988

**Fax:** +86-592-352 1989

**Postcode:** 361 101

**Web:** [www.pengnantech.com](http://www.pengnantech.com)