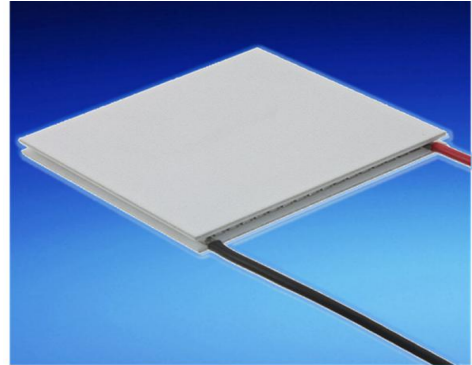


**Thermoelectric Cooler Performance Specifications**

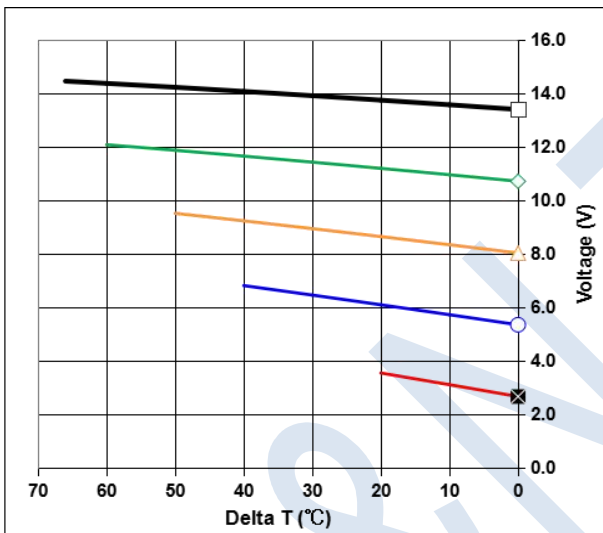
**TEC1-127090-62X62S-W150**

Hot Side Temperature(°C)	27 °C	50 °C
Qmax (Watts)	77.1	84.6
Delta Tmax(°C)	71	75
I <sub>max</sub> (Amps)	9	9
V <sub>max</sub> (Volts)	15.4	16.3
Module Resistance(Ohms)	1.47	1.66

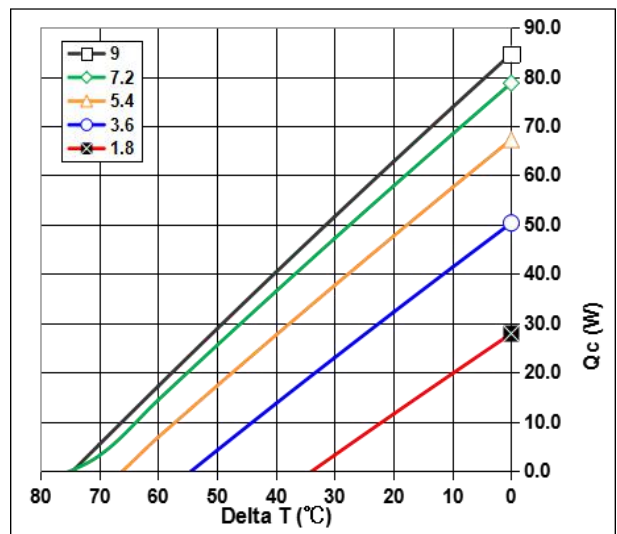
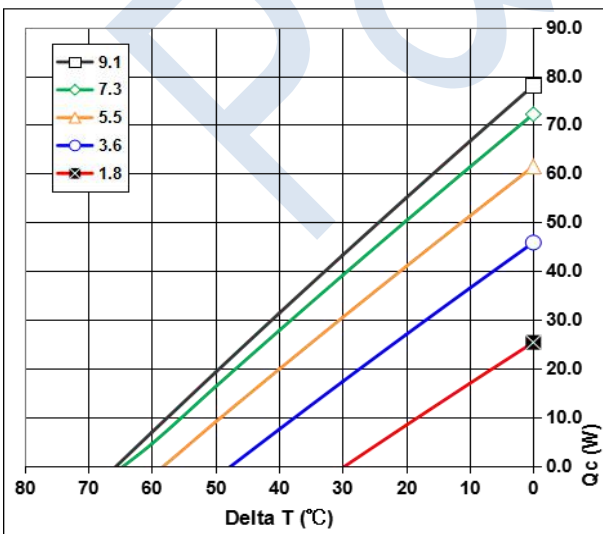
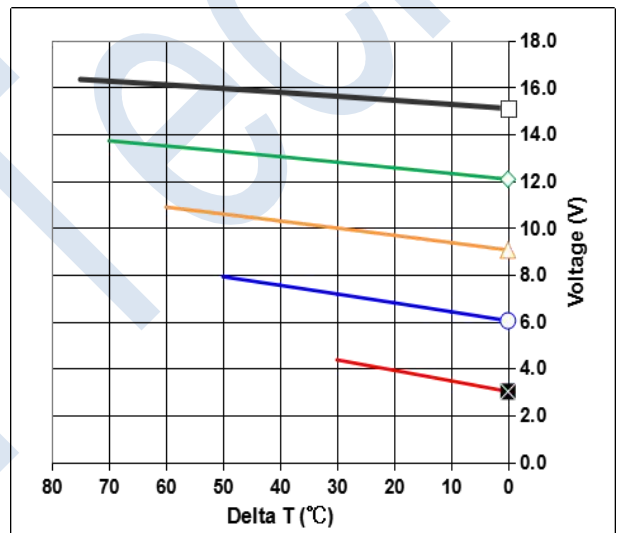


\*\*Tolerances for thermal and electrical parameters ± 10%.

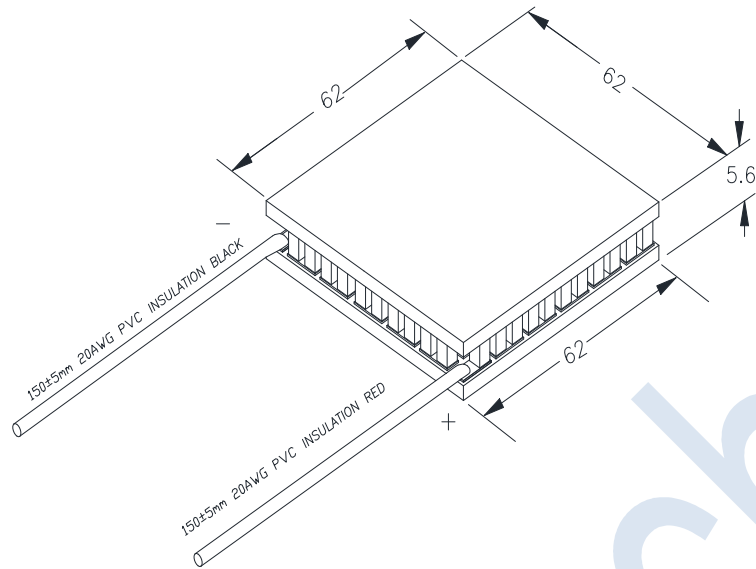
**Performance Curves Th=27 °C**



**Performance Curves Th=50 °C**



Mechanical Drawing:



Module is sealant by RTV sealant.

**Operation Tips:**

- Max Operating Temperature: **90°C**.
- Do not exceed  $I_{max}$  or  $V_{max}$  when operating module.
- Please consult P&N Technology for moisture and corrosion protection options.

**Address:** 5/F Xinfei Building 28<sup>th</sup> Xiangming Road, Torch (xiang'an) Hi-tech Zone, Xiamen Fujian China.

**Sales Tel:** +86-592-352 1988

**Fax:** +86-592-352 1989

**Postcode:** 361 101

**Web:** [www.pengnantech.com](http://www.pengnantech.com)