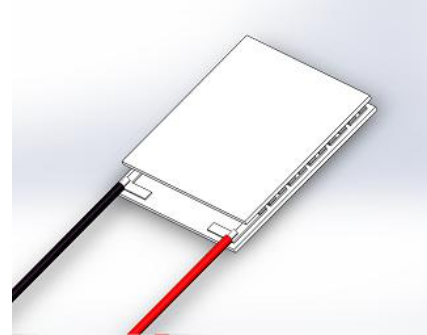


Thermoelectric Cooler Performance Specifications

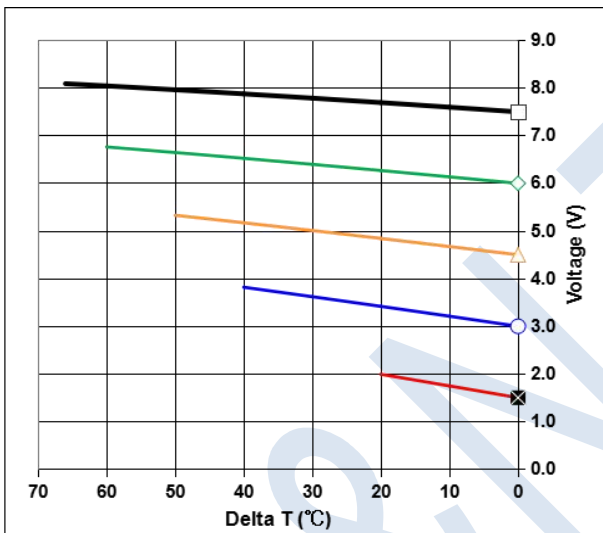
HP-071080-30X34S-W150

| | | |
|--------------------------|-------|-------|
| Hot Side Temperature(°C) | 27 °C | 50 °C |
| Qmax (Watts) | 41.7 | 45.5 |
| Delta Tmax(°C) | 72 | 75 |
| I _{max} (Amps) | 8.5 | 8.5 |
| V _{max} (Volts) | 8.6 | 9.1 |
| Module Resistance(Ohms) | 0.85 | 0.96 |

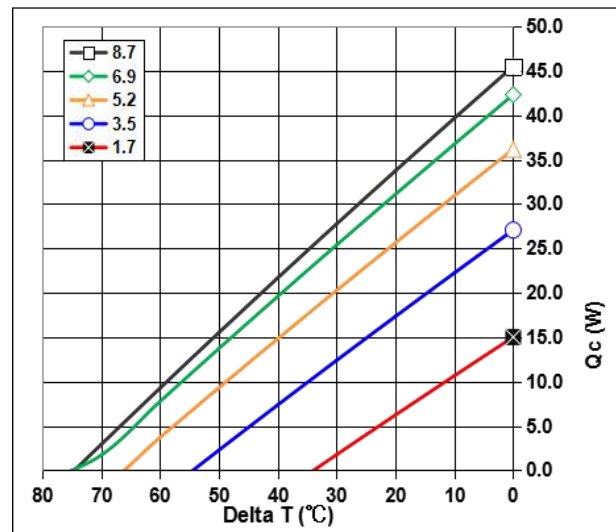
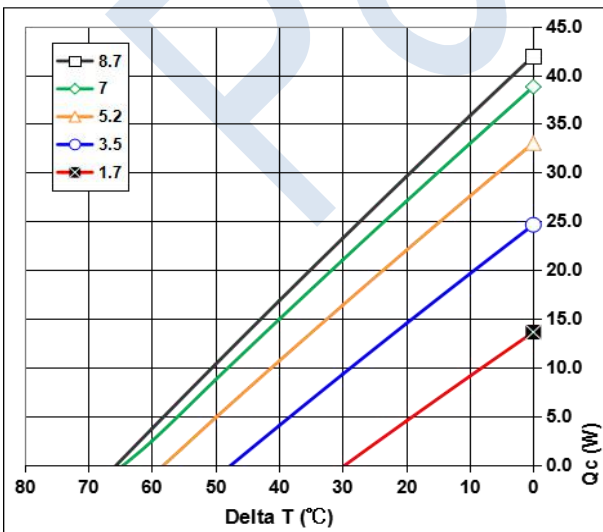
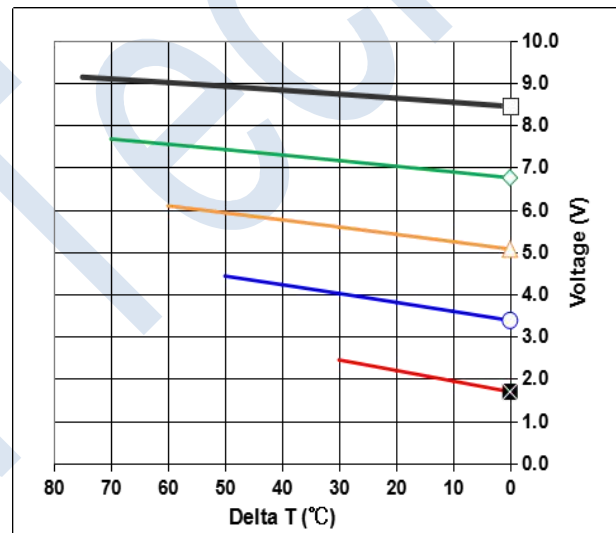
**Tolerances for thermal and electrical parameters ± 10%.



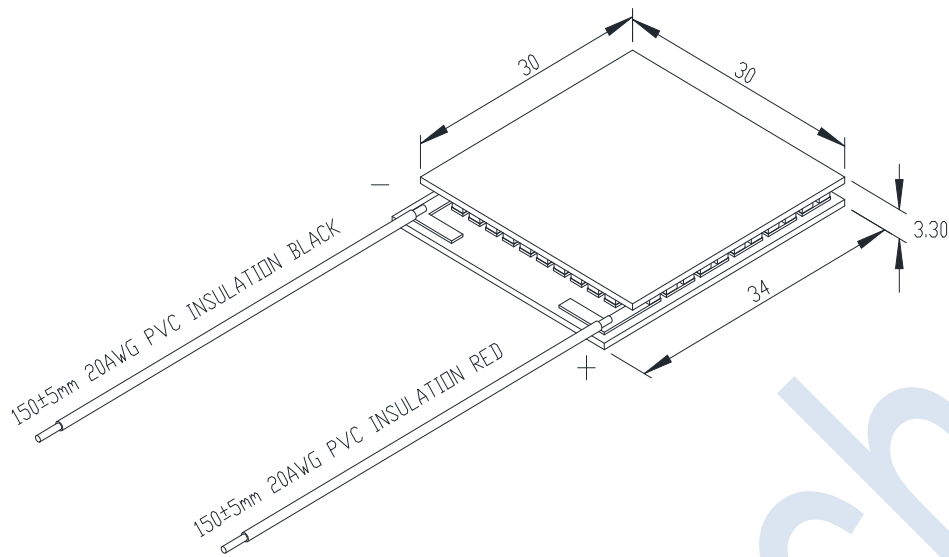
Performance Curves Th=27 °C



Performance Curves Th=50 °C



Mechanical Drawing:



Module is sealed by RTV sealant.

Operation Tips:

- Max Operating Temperature: **90°C**.
- Do not exceed I_{max} or V_{max} when operating module.
- Please consult P&N Technology for moisture and corrosion protection options.

Address: 5/F Xinfei Building 28th Xiangming Road, Torch (xiang'an) Hi-tech Zone, Xiamen Fujian China.

Sales Tel: + 86 - 592 - 352 1988

Fax: +86-592-352 1989

Postcode: 361 101

Web: www.pengnantech.com