

Double Ridged Horn Antenna Model DRH50



Telemeter Electronic

Electrical Specifications

Frequency Range	4.5 GHz – 50 GHz
VSWR (max.)	< 1.55 : 1
Impedance	50 Ω
Connector	2.40 mm female
Power (CW / Pulse)	10 W / 20 W

Physical Specifications

Width	43.8 mm (1.724 in)
Depth	53.7 mm (2.114 in)
Height	38.0 mm (1.496 in)
Weight	70 g (0.16 lb)

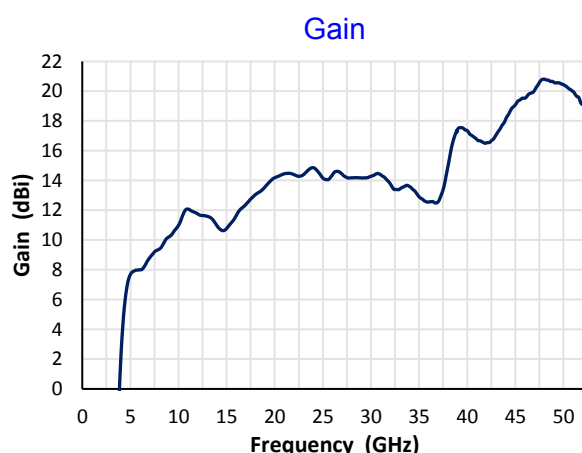
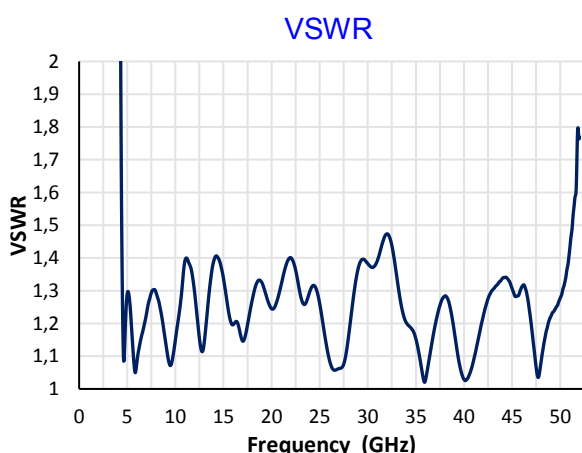


Typical Parameters

Width	43.8 mm (1.724 in)
Depth	53.7 mm (2.114 in)
Height	38.0 mm (1.496 in)
Weight	70 g (0.16 lb)



Typical Parameters



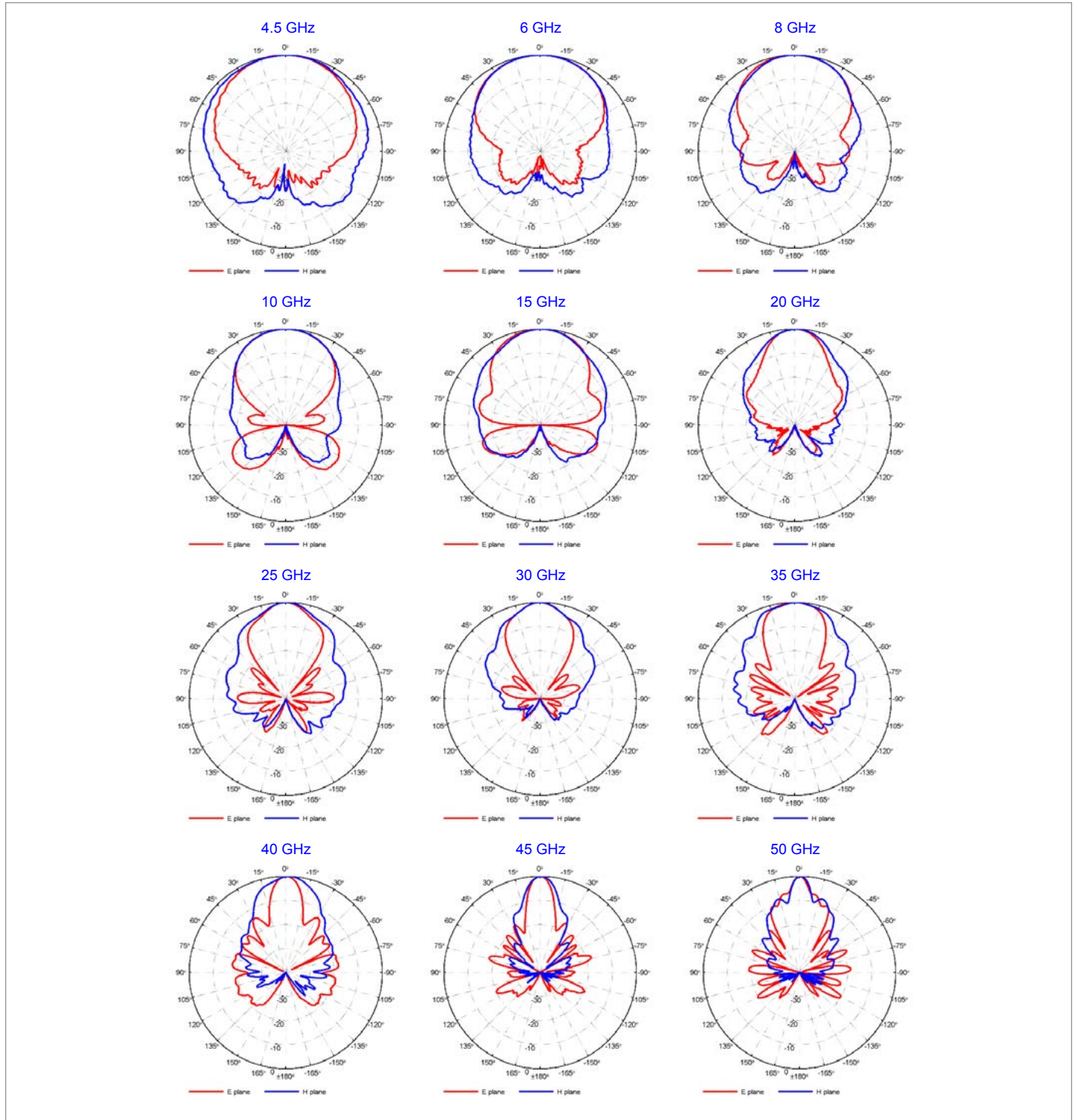
Deutschland
Telemeter Electronic GmbH
 Joseph-Gänsler-Str. 10, 86609 Donauwörth
 Tel. +49 906 70693-0, Fax +49 906 70693-50
 info@telemeter.de, www.telemeter.info

Schweiz
Telemeter Electronic GmbH
 Romanshornstr. 117, 8280 Kreuzlingen
 Tel. +41 71 6992020, Fax +41 71 6992024
 info@telemeter.ch, www.telemeter.info

Tschechische Republik
Telemeter Electronic s.r.o.
 České Vrbné 2364, 37011 České Budějovice
 Tel. +420 38 5310637 und +420 38510143
 info@telemeter.cz, www.telemeter.info

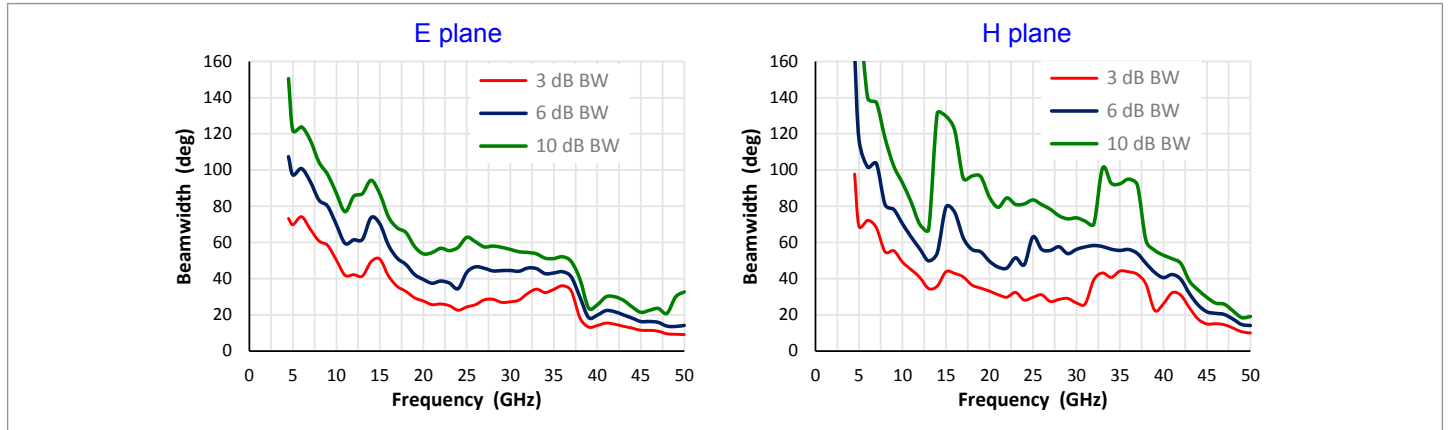
Double Ridged Horn Antenna Model DRH50

Radiation Patterns

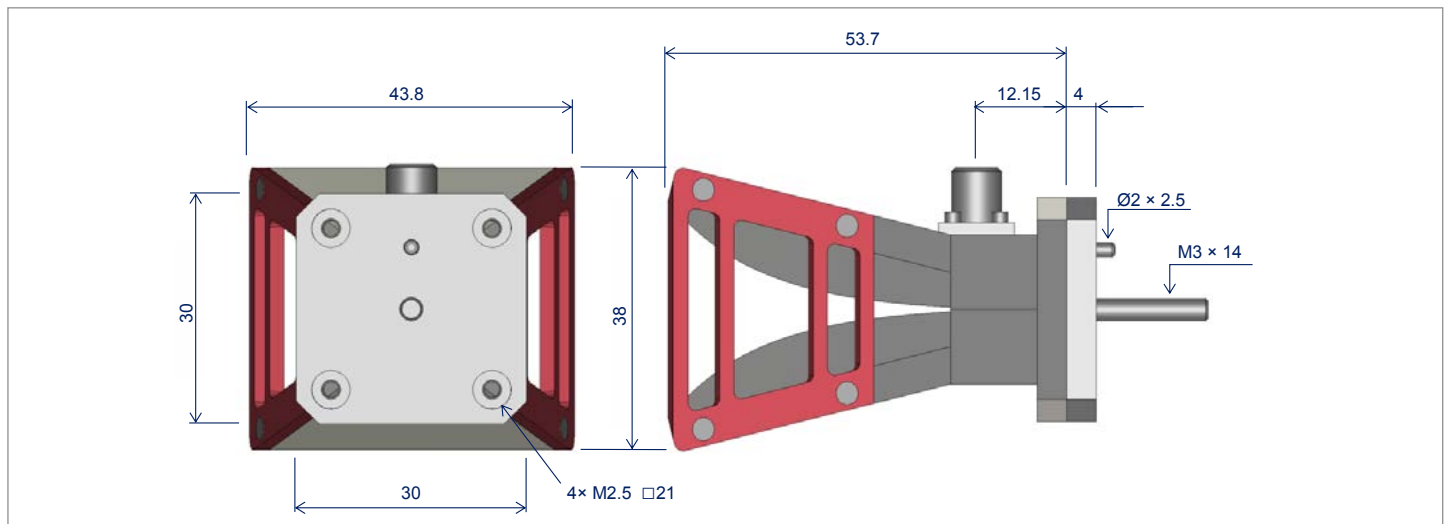


Double Ridged Horn Antenna Model DRH50

Beamwidth



Schematic drawing



L bracket

